

PARTS LIST

[RV-DP200BK]

* All printed circuit boards and its assemblies are not available as service parts.

Area suffix

B ----- U.K.
 E ----- Continental Europe
 EN ----- Northern Europe

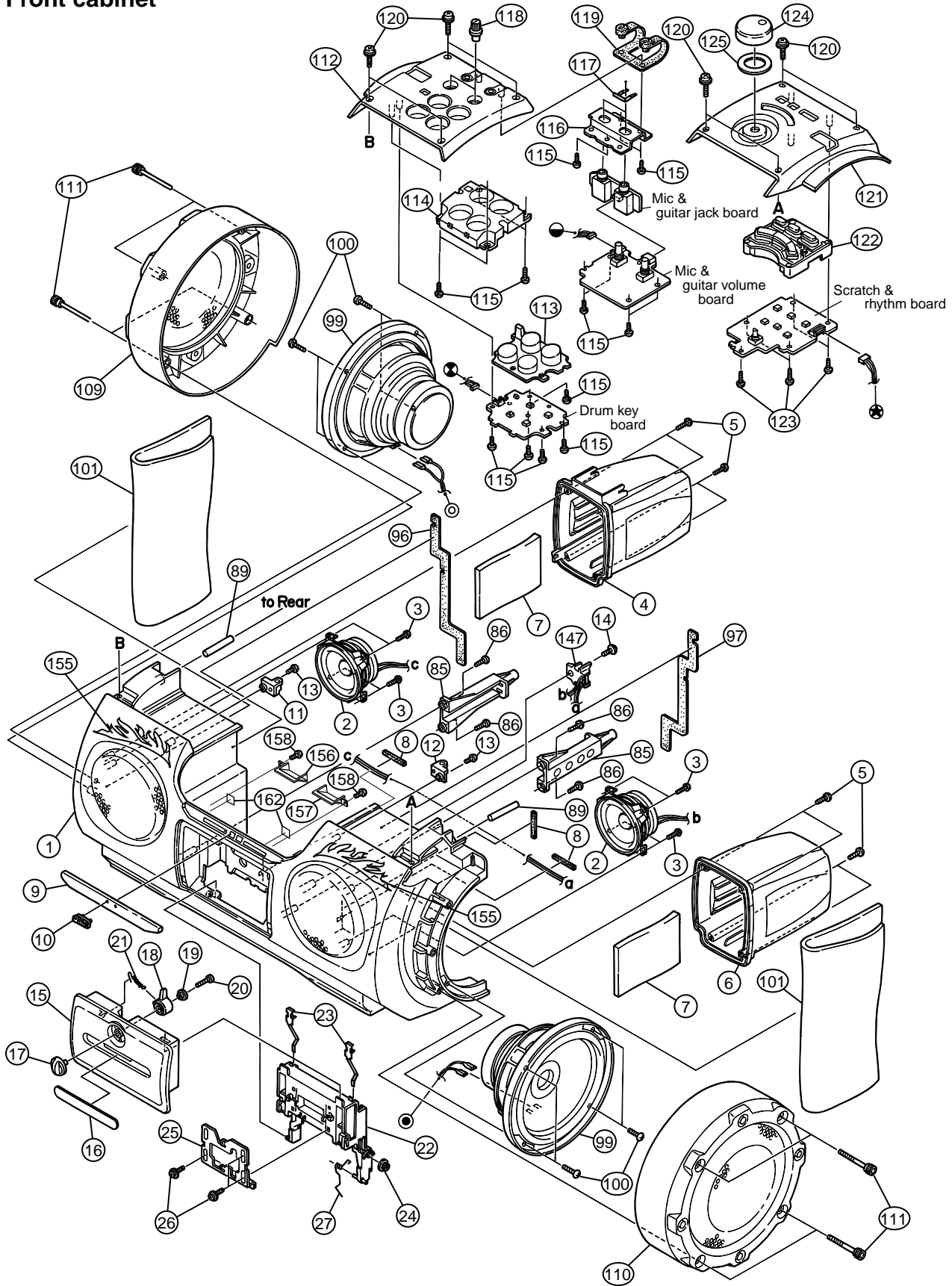
- Contents -

Exploded view of general assembly and parts list	3- 2
CD mechanism assembly and parts list	3- 8
Cassette mechanism assembly and parts list	3- 9
Electrical parts list	3-11
Packing materials and accessories parts list	3-24

Exploded view of general assembly and parts list

Block No. M 1 M M

Front cabinet



Parts list (General assembly)

Block No. M1MM

△	Item	Parts number	Parts name	Q'ty	Description	Area
	1	LV10351-004A	FRONT CABI ASSY	1		
	2	QAS0006-001	SPEAKER	2		
	3	QYSBSF3010Z	SCREW	8	FOR SP	
	4	VYH2280-002	CAP (L)	1		
	5	QYSBSF3010Z	SCREW	8	FOR CAP	
	6	VYH2281-002	CAP (R)	1		
	7	VKZ4389-009	SOUND ABSOBER	2		
	8	VYSH102-097	SPACER	3	FOR SP WIRE	
	9	LV31760-003A	ILLUMI.LANS	1		
	10	PQ45130-7	JVC MARK	1		
	11	LV31775-001A	HOLDER	1	FRONT TOP	
	12	LV31775-002A	HOLDER(R)	1		
	13	QYSBSF2608Z	T.SCREW	2	HOLDER+FRONT	
	14	QYSBSFG3010Z	TAP SCREW	1	SP CONECTOR	
	15	LV20689-002A	DOOR COVER	1		
	16	LV41573-003A	DOOR LENS	1		
	17	LV40718-004A	EJECT KNOB	1		
	18	LV40719-001A	CAM(CASS)	1		
	19	LV42025-001A	COLLAR	1		
	20	QYSDSF2614Z	SCREW	1	EJECT KNOB	
	21	LV40749-001A	TENSION SPRING	1		
	22	LV20298-001A	CASSETTE HOLDER	1		
	23	VKY4180-001	CASSETTE SPRING	2		
	24	VYH5601-001	GEAR	1		
	25	LV30844-001A	EJECT SAFTY	1		
	26	VKZ4794-002	SPECIAL SCREW	3	FOR SAFETY	
	27	LV41854-001A	DOOR SPRING	1		
	85	LV31766-001A	SUPPORT HOLDER	2		
	86	QYSBSF3010Z	SCREW	4	FOR S.HOLDER	
	89	VKH3012-073	SHAFT(E)	2		
	96	LV41599-001A	PACKING SHEET L	1	PEF	
	97	LV41600-002A	PACKING SHEET R	1	PEF	
	99	QAS0007-001	SPEAKER	2	WOOFOR	
	100	QYSBSF4012Z	SCREW	8		
	101	VKZ4805-001UL	SOUND ABSOBER	2		
	109	LV10352-005A	PROTECT ASSY(L)	1		
	110	LV10354-005A	PROTECT ASSY(R)	1		
	111	VKZ4795-011	SPECIAL SCREW	8	SIDE PRO.	
	112	LV10369-003A	TOP COVER(L)	1		
	113	LV31763-002A	PAD BUTTON	1		
	114	LV20717-001A	BUTTON HOLDER	1		
	115	QYSBSF2608Z	T.SCREW	16		
	116	LV31795-001A	JACK BRACKET	1		
	117	VKL6752-001	SNAP PLATE	2	FOR JACK	
	118	LV31792-001A	VOLUME KNOB	2		
	119	LV41590-001A	JACK CAP	1	FOR JACK	
	120	LV41871-001A	SCREW	8	TOP	
	121	LV10370-005A	TOP COVER(R)	1		

■ Parts list (General assembly)

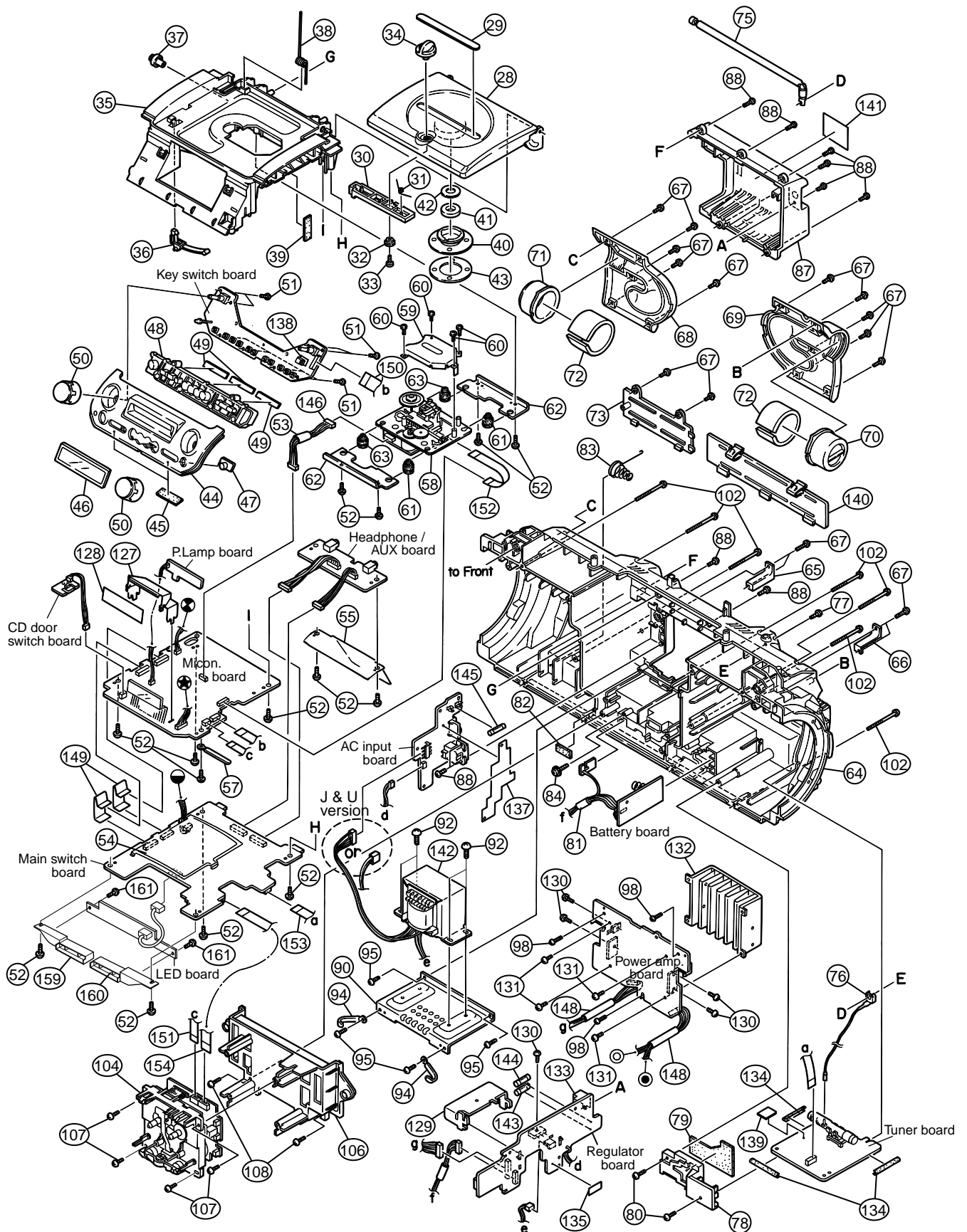
Block No. M1MM

▲	Item	Parts number	Parts name	Q'ty	Description	Area
	122	LV20719-002A	CONTROL BUTTON	1		
	123	QYSBSF2608Z	T.SCREW	5	TOP+C.BUTTON	
	124	LV31767-003A	JOG DIAL	1		
	125	LV41770-002A	VOLUME SHEET	1		
	147	WJJ0034-012A	E-SI C WIRE C-C	1	SPEAKER	
	155	LV32594-002A	STICKER(R)	1		
		LV32593-002A	STICKER(L)	1		
	156	LV32588-001A	LED LENS(L)	1		
	157	LV32589-001A	LED LENS(R)	1		
	158	QYSBSF2608Z	T.SCREW	2	FOR LED LENS	
	162	LV30064-081A	SPACER	2	FOR F.PANEL	

Exploded view of general assembly and parts list

Block No. **M 1 M M**

Rear cabinet



■ Parts list (General assembly)

Block No. M1MM

△	Item	Parts number	Parts name	Q'ty	Description	Area
	28	LV10343-002A	CD DOOR	1		
	29	LV41573-004A	DOOR LENS	1		
	30	LV30846-001A	SLIDER (CD)	1		
	31	LV40725-001A	TORSION SPRING	1		
	32	LV42025-002A	COLLAR	1		
	33	QYSDSF2614Z	SCREW	1		
	34	LV40718-004A	EJECT KNOB	1		
	35	LV10344-003A	CD CASE	1		
	36	LV40726-001A	LOCK LEVER	1		
	37	VYH4769-002SS	GEAR	1		
	38	LV41744-002A	CD DOOR SPRING	1		
	39	LV30064-063A	SPACER	1		
	40	VYH3644-201	CLAMPER	1		
	41	VYH7313-003	MAGNET	1		
	42	VYH7314-001	YOKE	1		
	43	VYH7315-008	PAD	1		
	44	LV10371-002A	FRONT COVER	1		
	45	LV30064-073A	SPACER	2		
	46	LV31757-003A	LCD LENS	1		
	47	LV41575-002A	REMOCON LENS	1		
	48	LV20690-002A	FUNCTION BUTTON	1		
	49	VYSA1R4-106	SPACER	3		
	50	LV31759-003A	JOG KNOB	2		
	51	QYSBSF2608Z	T.SCREW	8	BUTTON+COVER	
	52	QYSBSF3008Z	SCREW	14		
	53	LV30064-076A	SPACER	1		
	54	LV42295-001A	SHIELD(A)	1	FOR MAIN PWB	
	55	LV32032-002A	BARRIER	1		
	57	VKZ4001-111S	WIRE CLAMP	1		
	58	-----	CD MECHA ASSY	1		
	59	VJD5410-205	PICK COVER	1		
	60	QYSDSF2006M	SCREW	4	PICK COVER	
	61	VKZ4791-001	INSULATOR	2		
	62	LV40723-001A	CD MECHA HOLDER	2		
	63	FMYH4003-003	INSULATOR	2		
	64	LV10342-004A	REAR CABINET	1		
	65	LV32053-001A	REAR SUPPORT(L)	1		
	66	LV32054-001A	REAR SUPPORT(R)	1		
	67	QYSBSF3010Z	SCREW	16		
	68	LV20692-001A	DUCT(L)	1		
	69	LV20693-001A	DUCT(R)	1		
	70	LV31762-002A	CAP(R)	1		
	71	LV31765-002A	CAP(L)	1		
	72	LV41791-002A	SOUND ABSORBER	2		
	73	VJE3036-001	BATT.LID	1		
	75	FMJA3001-00A(D)	ROD ANT ASS'Y	1		
	76	VYH5012-005	TERMINAL LUG	1		
	77	QYSDSP3012N	SCREW	1	FOR ANT	

Parts list (General assembly)

Block No. M1MM

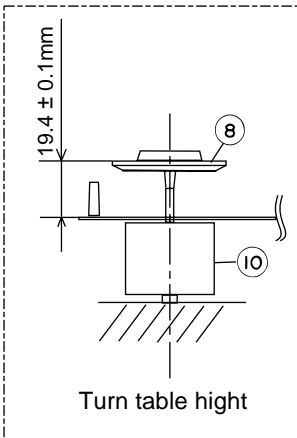
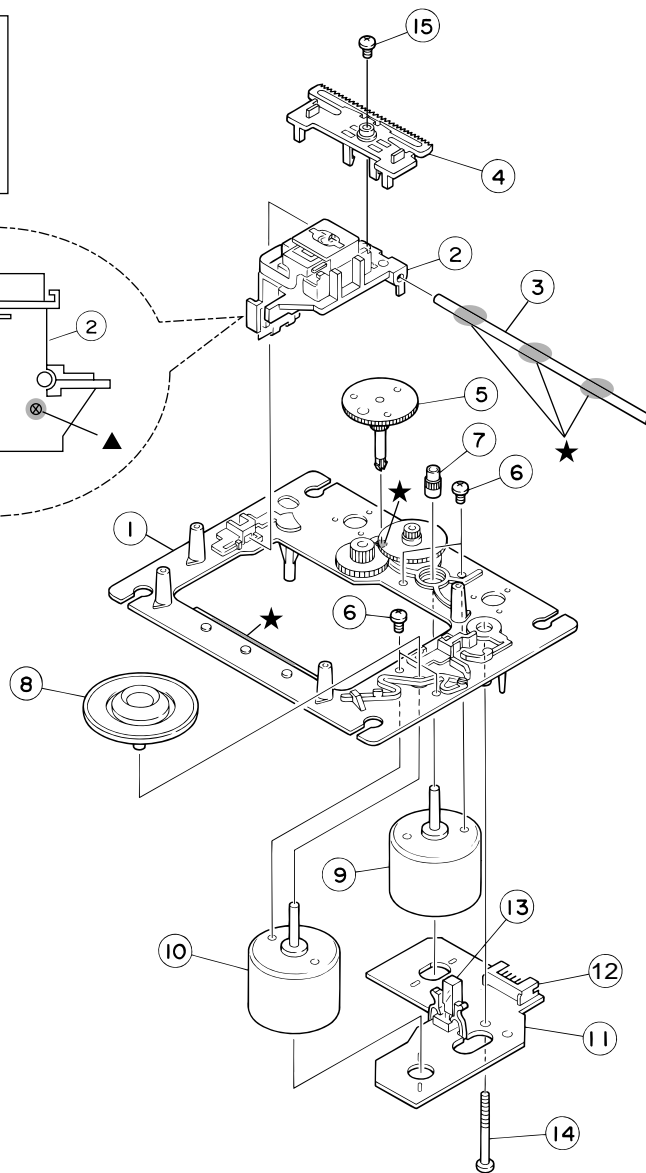
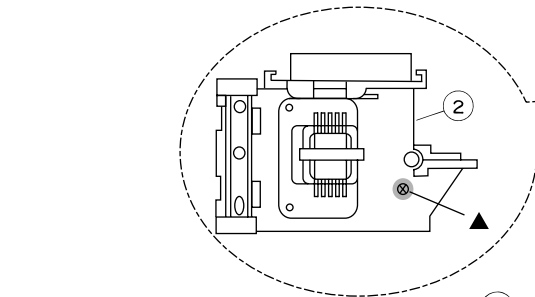
△	Item	Parts number	Parts name	Q'ty	Description	Area
	78	LV31770-002A	TUNER HOLDER	1		
	79	LV41873-001A	SPACER	1	FOR TU.HOL(PEFU	
	80	QYSBSF3010Z	SCREW	2	FOR TUNER HOLDE	
	81	VYSH101-027	SPACER	1	FOR WF WIRE	
	82	LV30064-074A	SPACER	1	PEFU 4X30(T2)	
	83	VYH5657-001	BATTERY SPRING	1		
	84	E65923-003	TAPPING SCREW	1	SUM3 PWB	
	87	LV10358-002A	REAR COVER	1		
	88	QYSBSF3010Z	SCREW	10		
	90	LV31769-001A	TRANS BRACKET	1		
	92	QYSBST4006Z	T.SCREW	4	TRANS	
	94	VKZ4001-111S	WIRE CLAMP	2		
	95	QYSBSF3010Z	SCREW	4	TRANS BKT+REAR	
	98	QYSBSF3010Z	SCREW	3	REAR+H.SINK PWB	
	102	QYSBSF3045Z	SCREW	10	FRONT+REAR	
	104	-----	CASSETTE MECHA	1		
	106	LV10345-002A	C.MECHA CHASSIS	1		
	107	QYSBSF3014M	SCREW	4	MECHA+CHASSIS	
	108	QYSBSF3010Z	SCREW	2	CHASSIS+REAR	
	127	LV31758-003A	LCD HOLDER	1	SPT E T0.4	
	128	LV41593-003A	SHEET	1	FOR LCD HOLDER	
	129	LV31772-003A	HEAT SINK	1		
	130	QYSBSF3012Z	SCREW	5		
	131	QYSBSF3008M	SCREW	4	H.SINK(A)+PWB	
	132	VMH4055-002	HEAT SINK	1	AL T2	
	133	LV31809-001A	DC HOLDER	1	DC JACK	
	134	LV30064-065A	SPACER	3	FOR TU.PWB	
	135	VYSA1R4-100	SPACER	1		
	137	LV41824-001A	BARRIER	1	FOR AC PWB	
	138	LV30064-062A	SPACER	1	FOR SW.PWB CR(T	
	139	LV41782-001A	SHIELD	1		
	140	VJC2603-002	BATTERY COVER	1		
	141	LV32592-007A	RATING LABEL	1		
△	142	QQT0293-002	POWER TRANSF	1	T1901	
△	143	QMFZ031-8R0-J1	FUSE	1	F1902	
△	144	QMF51E2-6R3-J1	FUSE	1	F1903	
△	145	QMF51E2-R63-J1	FUSE	1	F1901	
	146	QJJ010-061501	SIN CR C-C WIRE	1	MICOM - CD MOTO	
	148	QWTBG0H-100	VINYL TUBE	2		
	149	QUQ412-1707CJ	FFC WIRE	2	MICOM - MAIN	
	150	QUQ412-1414DJ	FFC WIRE	1	MICOM - SW	
	151	QUQ412-0918DJ	FFC WIRE	1	MICOM - SLC	
	152	QUQ610-1508AJ	FFC WIRE	1	CD PICK	
	153	QUQ412-0920DJ	FFC WIRE	1	MAIN - TUNER	
	154	QUQ412-1014CJ	FFC WIRE	1	MAIN - SLC	
	159	LV32586-001A	LED HOLDER(L)	1		
	160	LV32587-001A	LED HOLDER(R)	1		
	161	QYSBSF3008Z	SCREW	2	FOR LED HOLDER	

CD mechanism assembly and parts list

Block No. M 2 M M

Grease & Bond

★ = EBS0006-013B
▲ = 1401B



EXL-M7MB

■ **Parts list (CD mechanism)**

Block No. **M2MM**

⚠	Item	Parts number	Parts name	Q'ty	Description	Area
	1	E102731-221SM	CD MECHA BASE A	1		
	2	OPTIMA-7B	CD PICK	1		
	3	E406777-002SM	CD SHAFT	1		
	4	LV31002-001A	CD RACK	1		
	5	E307745-441SM	CD GEAR 3	1		
	6	QYSDSP2003N	SCREW	4		
	7	E406750-442SM	PINION	1		
	8	EPB-001PK	T.TABLE ASSY	1		
	9	E406784-001	FEED MOTOR	1		
	10	QAR0130-001	SP MOTOR	1		
	11	EMW10190-441	CIR BOARD	1		
	12	QGA2001F1-06	6P PLUG ASSY	1	FOR P011	
	13	QSW0506-001	LEAF SW	1	FOR S001	
	14	E75832-221SS	SPECIAL SCREW	1	FOR M.CB	
	15	QYSDSF2606Z	SCREW	1		

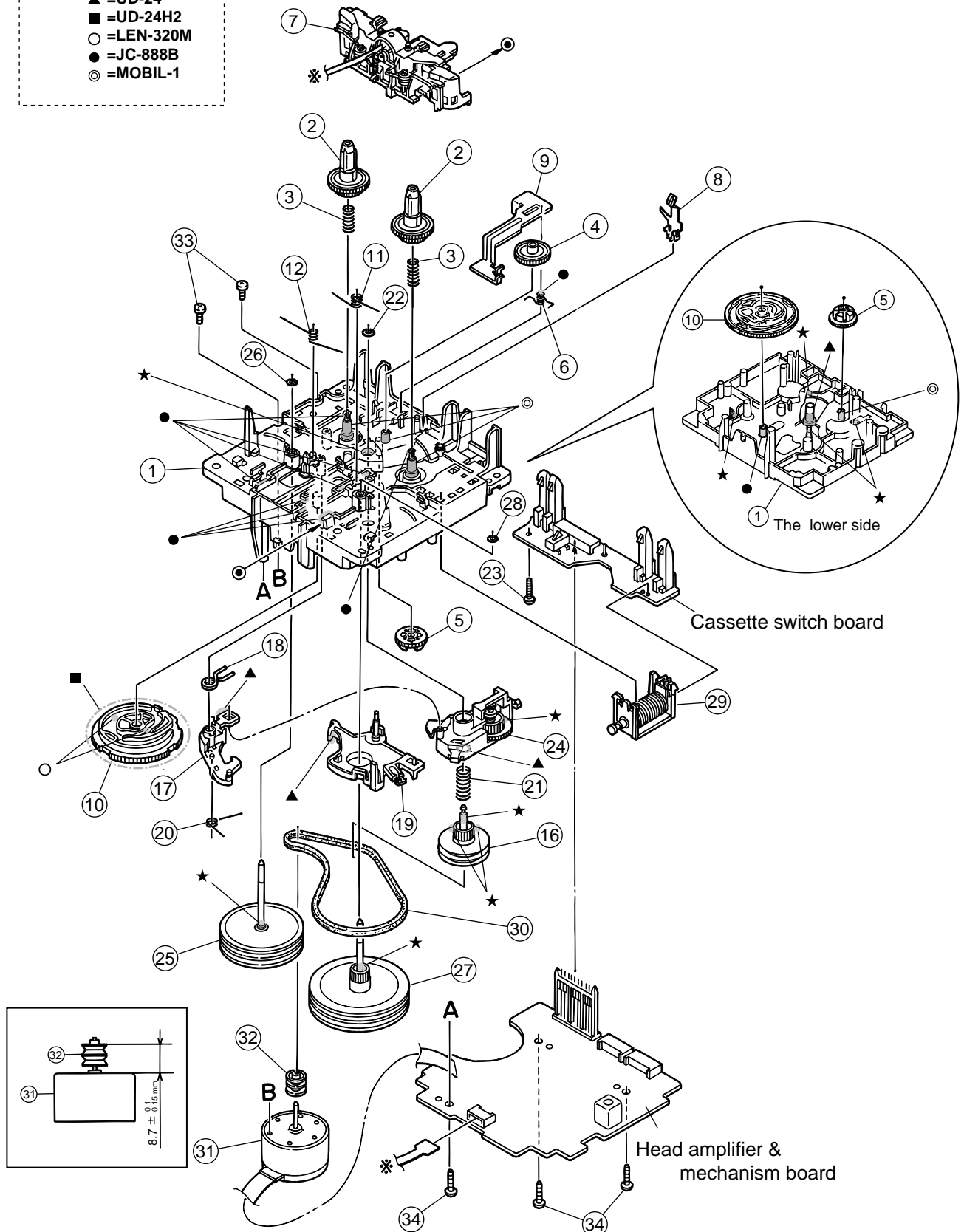
Cassette mechanism assembly and parts list

SLC-S11YPM

Block No. M 3 M M

Grease

- ★ =EM-30L
- ▲ =UD-24
- =UD-24H2
- =LEN-320M
- =JC-888B
- ◎ =MOBIL-1



Parts list (Cassette mechanism)

Block No. M3MM

△	Item	Parts number	Parts name	Q'ty	Description	Area
	1	VKS1165-00J	CHASSIS B.ASS'Y	1		
	2	VKS2274-002	REEL GEAR	2		
	3	VKW5286-002	B.T. SPRING	2		
	4	VKS5559-001	PLAY IDLE GEAR	1		
	5	VKS5597-00B	BLIND	1		
	6	VKW5296-001	EARTH SPRING	1		
	7	SLC-RP1SVM	HEAD MOUNT ASSY	1		
	8	VKY3149-002	CASSETTE SP.	1		
	9	VKM3906-002	PLAY SW.LEVER	1		
	10	VKS1166-003	CONTROL CAM	1		
	11	VKW5279-001	HEAD BASE SP(R)	1		
	12	VKW5280-001	HEAD BASE SP(L)	1		
	16	VKS5603-00G	MAIN PULLEY ASY	1		
	17	VKS3785-001MM	FR ARM	1		
	18	VKW5284-002	SWING SPRING	1		
	19	VKS2278-003	TRIGGER ARM	1		
	20	VKW5301-001	FR SPRING	1		
	21	VKW5266-001	ELEVATOR SPRING	1		
	22	WDL214025	WASHER	1		
	23	QYSBSF2005Z	T.SCREW	1		
	24	VKS3786-00G	CLUTCH ASS'Y	1		
	25	VKF3205-00B	F.WHEEL ASSY(R)	1		
	26	WDL183425	SLIT WASHER	1		
	27	VKF3207-00B	F.WHEEL ASSY(L)	1		
	28	WDL173525-6	SLIT WASHER	1		
	29	VKZ3174-00A	DC SOLENOID	1		
	30	LV42234-001A	CAPSTAN BELT	1		
	31	MSI-5U2LWA	D.C.MOTOR ASS'Y	1		
	32	VKR4761-001	MOTOR PULLEY	1		
	33	QYSPSP2604Z	SCREW	2		
	34	QYSBSF2608Z	T.SCREW	3	FOR P.W.B.	

■ Electrical parts list (Main board)

Block No. 01

△	Item	Parts number	Parts name	Remarks	Area	△	Item	Parts number	Parts name	Remarks	Area
	BS 1	VYH5483-001	BATTERY SPRING	FOR UM-1			C5303	QEK1HM-225Z	E CAPACITOR	2.2MF 20% 50V	
	BS 2	VYH7199-001	BATTERY SPRING	FOR UM-3			C5304	QER61HM-105Z	E CAPACITOR	1.0MF 20% 50V	
	CN191	QGA2501F1-03	CONNECTOR				C5305	QEK1CM-107Z	E CAPACITOR	100MF 20% 16V	
	CN192	QGB2501K1-04	CONNECTOR				C5306	QEK1EM-475Z	E CAPACITOR	4.7MF 20% 25V	
	CN193	QGA2501C1-05	5P CONNECTOR				C5308	QEK1HM-474Z	E CAPACITOR	.47MF 20% 50V	
△	CN194	QGA7901F2-02	CONNECTOR				C5309	QER61HM-474Z	E CAPACITOR	.47MF 20% 50V	
	CN195	QGA3901C1-02	CONNECTOR				C6101	QFVF1HJ-224Z	MF CAPACITOR	.22MF 5% 50V	
	CN196	QGA2501C1-09	9P CONNECTOR				C6102	NCS21HJ-471X	C CAPACITOR		
	CN401	QGA2501F1-03	CONNECTOR				C6103	QETN1EM-476Z	E CAPACITOR	47MF 20% 25V	
	CN410	QGA2501F1-07	CONNECTOR				C6104	QFVF1HJ-104Z	MF CAPACITOR	.10MF 5% 50V	
	CN411	QGF1205F1-17	CONNECTOR				C6105	QETN1EM-476Z	E CAPACITOR	47MF 20% 25V	
	CN412	QGF1205F1-17	CONNECTOR				C6106	QETM1EM-108	E CAPACITOR	1000MF 20% 25V	
	CN413	QGF1205F1-09	CONNECTOR				C6107	QTE1E06-476Z	E CAPACITOR		
	CN415	QGF1205F1-10	CONNECTOR				C6201	QFVF1HJ-224Z	MF CAPACITOR	.22MF 5% 50V	
	CN417	QGB1216J1-10S	CONNECTOR				C6202	NCS21HJ-471X	C CAPACITOR		
	CN418	QGB1216J1-10S	CONNECTOR				C6203	QETN1EM-476Z	E CAPACITOR	47MF 20% 25V	
	CN419	QGA2501F1-06	CONNECTOR				C6204	QFVF1HJ-104Z	MF CAPACITOR	.10MF 5% 50V	
	CN427	QGB1216K1-10S	CONNECTOR	MAIN			C6205	QETN1EM-476Z	E CAPACITOR	47MF 20% 25V	
	CN428	QGB1216K1-10S	CONNECTOR	MAIN			C6206	QETM1EM-108	E CAPACITOR	1000MF 20% 25V	
	C1901	QFLM1HJ-683Z	M CAPACITOR	.068MF 5% 50V			C6207	QTE1E06-476Z	E CAPACITOR		
	C1902	QFLM1HJ-683Z	M CAPACITOR	.068MF 5% 50V			C6301	QETN1EM-227Z	E CAPACITOR	220MF 20% 25V	
	C1903	QFLM1HJ-683Z	M CAPACITOR	.068MF 5% 50V			C6302	QETN1EM-107Z	E CAPACITOR	100MF 20% 25V	
	C1904	QFLM1HJ-683Z	M CAPACITOR	.068MF 5% 50V			C6303	QFVF1HJ-104Z	MF CAPACITOR	.10MF 5% 50V	
	C3191	QEK1HM-475Z	AL E. CAPACITOR	4.7MF 20% 50V			C6304	QFVF1HJ-334Z	MF CAPACITOR	.33MF 5% 50V	
	C3192	QETN1EM-107Z	E CAPACITOR	100MF 20% 25V			C6305	QETN1HM-105Z	E CAPACITOR	1.0MF 20% 50V	
	C3193	NCS21HJ-101X	C CAPACITOR				C6306	QETN1AM-227Z	E CAPACITOR	220MF 20% 10V	
	C3194	QETN1EM-107Z	E CAPACITOR	100MF 20% 25V			C6307	QETN1EM-107Z	E CAPACITOR	100MF 20% 25V	
	C3301	NCB21HK-103X	C CAPACITOR				C6308	QDGB1HK-102Y	C CAPACITOR		
	C3302	NCS21HJ-221X	C CAPACITOR				C6401	QETM1EM-688	E CAPACITOR	6800MF 20% 25V	
	C3303	QER61CM-107Z	E CAPACITOR	100MF 20% 16V			C6402	QETN1HM-106Z	E CAPACITOR	10MF 20% 50V	
	C3401	QEK1AM-107Z	E CAPACITOR	100MF 20% 10V			C6403	QETN1HM-474Z	E CAPACITOR	.47MF 20% 50V	
	C3402	QEK1EM-475Z	E CAPACITOR	4.7MF 20% 25V			C6404	QETN1HM-106Z	E CAPACITOR	10MF 20% 50V	
	C3801	QETN1AM-477Z	E CAPACITOR	470MF 20% 10V			C6405	QETN1HM-106Z	E CAPACITOR	10MF 20% 50V	
	C3802	QEK1CM-107Z	E CAPACITOR	100MF 20% 16V			C6406	QETN1EM-227Z	E CAPACITOR	220MF 20% 25V	
	C3901	QETN1AM-107Z	E CAPACITOR	100MF 20% 10V			C6407	QETN1HM-106Z	E CAPACITOR	10MF 20% 50V	
	C3902	QFVF1HJ-104Z	MF CAPACITOR	.10MF 5% 50V			C6408	QFVF1HJ-104Z	MF CAPACITOR	.10MF 5% 50V	
	C4142	NCS21HJ-150X	C CAPACITOR				C6409	QFVF1HJ-104Z	MF CAPACITOR	.10MF 5% 50V	
	C4143	QEK1HM-474Z	E CAPACITOR	.47MF 20% 50V			C6410	NCS21HJ-471X	C CAPACITOR		
	C4144	QEK1EM-475Z	E CAPACITOR	4.7MF 20% 25V			C6411	QFVF1HJ-104Z	MF CAPACITOR	.10MF 5% 50V	
	C4145	QTE1V06-106Z	E CAPACITOR				C6412	QFVF1HJ-104Z	MF CAPACITOR	.10MF 5% 50V	
	C4151	NCS21HJ-681X	C CAPACITOR				C6413	QFVF1HJ-104Z	MF CAPACITOR	.10MF 5% 50V	
	C4242	NCS21HJ-150X	C CAPACITOR				C6414	QETN1HM-474Z	E CAPACITOR	.47MF 20% 50V	
	C4243	QEK1HM-474Z	E CAPACITOR	.47MF 20% 50V			C6415	NCS21HJ-471X	C CAPACITOR		
	C4244	QEK1EM-475Z	E CAPACITOR	4.7MF 20% 25V			C7301	QETN1CM-107Z	E CAPACITOR	100MF 20% 16V	
	C4245	QTE1V06-106Z	E CAPACITOR				C7302	QETN1HM-474Z	E CAPACITOR	.47MF 20% 50V	
	C4251	NCS21HJ-681X	C CAPACITOR				C7303	QCSB1HK-3R3Y	C CAPACITOR	3.3PF 10% 50V	
	C4341	QEK1CM-476Z	E CAPACITOR	47MF 20% 16V			C7305	QETN1HM-475Z	E CAPACITOR	4.7MF 20% 50V	
	C4342	QEK1CM-107Z	E CAPACITOR	100MF 20% 16V			C7306	QFVF1HJ-274Z	MF CAPACITOR	.27MF 5% 50V	
	C4361	QEK1CM-226Z	E CAPACITOR	22MF 20% 16V			C7308	QFLM1HJ-103Z	M CAPACITOR	.010MF 5% 50V	
	C5102	QEK1EM-475Z	E CAPACITOR	4.7MF 20% 25V			C7309	QETN1CM-107Z	E CAPACITOR	100MF 20% 16V	
	C5103	QEK1CM-106Z	E CAPACITOR	10MF 20% 16V			C7310	QFLM1HJ-153Z	M CAPACITOR	.015MF 5% 50V	
	C5104	QFLM1HJ-563Z	M CAPACITOR	.056MF 5% 50V			C7311	QETN1HM-475Z	E CAPACITOR	4.7MF 20% 50V	
	C5105	QFLM1HJ-563Z	M CAPACITOR	.056MF 5% 50V			C7312	QETN1HM-105Z	E CAPACITOR	1.0MF 20% 50V	
	C5106	QFLM1HJ-562Z	M CAPACITOR	5600PF 5% 50V			C7313	QETN1HM-475Z	E CAPACITOR	4.7MF 20% 50V	
	C5107	QFLM1HJ-182Z	M CAPACITOR	1800PF 5% 50V			C7314	QETN1CM-107Z	E CAPACITOR	100MF 20% 16V	
	C5202	QEK1EM-475Z	E CAPACITOR	4.7MF 20% 25V			C7316	QETN1HM-475Z	E CAPACITOR	4.7MF 20% 50V	
	C5203	QEK1CM-106Z	E CAPACITOR	10MF 20% 16V			C7317	QFVF1HJ-104Z	MF CAPACITOR	.10MF 5% 50V	
	C5204	QFLM1HJ-563Z	M CAPACITOR	.056MF 5% 50V			C7318	QETN1CM-107Z	E CAPACITOR	100MF 20% 16V	
	C5205	QFLM1HJ-563Z	M CAPACITOR	.056MF 5% 50V			C7319	QFVF1HJ-104Z	MF CAPACITOR	.10MF 5% 50V	
	C5206	QFLM1HJ-562Z	M CAPACITOR	5600PF 5% 50V			C7320	QFLM1HJ-393Z	M CAPACITOR	.039MF 5% 50V	
	C5207	QFLM1HJ-182Z	M CAPACITOR	1800PF 5% 50V			C7321	QFVF1HJ-154Z	MF CAPACITOR	.15MF 5% 50V	
	C5301	QEK1CM-106Z	E CAPACITOR	10MF 20% 16V			C7322	QER61HM-105Z	E CAPACITOR	1.0MF 20% 50V	
	C5302	QER61HM-105Z	E CAPACITOR	1.0MF 20% 50V			C7323	QEK1CM-106Z	E CAPACITOR	10MF 20% 16V	

■ Electrical parts list (Main board)

Block No. 01

△	Item	Parts number	Parts name	Remarks	Area	△	Item	Parts number	Parts name	Remarks	Area
	C7324	QETN1CM-106Z	E CAPACITOR	10MF 20% 16V			Q3301	2SA1037AK/RS/-X	TRANSISTOR		
	C8101	QFLM1HJ-563Z	M CAPACITOR	.056MF 5% 50V		△	Q3302	2SB1565/EF/	TRANSISTOR		
	C8102	QFLM1HJ-563Z	M CAPACITOR	.056MF 5% 50V			Q3303	DTA144TKA-X	TRANSISTOR		
	C8103	QTE1E06-476Z	E CAPACITOR				Q3304	DTC144TKA-X	TRANSISTOR		
	C8201	QFLM1HJ-563Z	M CAPACITOR	.056MF 5% 50V			Q3305	2SC2412K/R/-X	TRANSISTOR		
	C8202	QFLM1HJ-563Z	M CAPACITOR	.056MF 5% 50V			Q3306	2SC2412K/R/-X	TRANSISTOR		
	C8203	QTE1E06-476Z	E CAPACITOR			△	Q3401	2SA1037AK/RS/-X	TRANSISTOR	TUNER SWITCH	
	C8301	QEKC1CM-476Z	E CAPACITOR	47MF 20% 16V			Q3402	2SC2412K/R/-X	TRANSISTOR		
	C8302	QEKC1CM-476Z	E CAPACITOR	47MF 20% 16V			Q3801	2SC2001/LK/-T	TRANSISTOR		
	C8303	QEKC1HM-105Z	E CAPACITOR	1.0MF 20% 50V			Q4161	2SD596/4/-X	TRANSISTOR		
△	D1901	KBU603G-A3	DIODE				Q4261	2SD596/4/-X	TRANSISTOR		
	D1902	6A10E2	SI DIODE				Q4351	DTC144TKA-X	TRANSISTOR		
	D1903	6A10E2	SI DIODE				Q4352	DTC144TKA-X	TRANSISTOR		
	D3191	1SS133-T2	SI DIODE				Q6101	2SD2114K/VW/-X	CHIP TRANSISTOR	MUTE	
	D3192	MTZJ7.5A-T2	Z.DIODE				Q6201	2SD2114K/VW/-X	CHIP TRANSISTOR	MUTE	
	D3193	SRT14	DIODE			△	Q6301	2SA952/LK/-T	TRANSISTOR	POUT	
	D3194	MTZJ7.5A-T2	Z.DIODE				Q6302	2SC2412K/R/-X	TRANSISTOR	POUT	
	D3195	1SS133-T2	SI DIODE				Q6401	DTA114EKA-X	D TRANSISTOR		
	D3196	1SS133-T2	SI DIODE				Q6402	2SD2114K/VW/-X	TRANSISTOR		
	D3301	1SS133-T2	SI DIODE				Q7301	2SC2412K/R/-X	TRANSISTOR		
	D3302	MTZJ9.1A-T2	ZENER DIODE				Q7302	2SC2412K/R/-X	TRANSISTOR		
	D3303	1SS133-T2	SI DIODE				Q7303	2SK105/EF/-T	TRANSISTOR(FET)		
	D3401	1SS133-T2	SI DIODE				Q7304	DTC114EKA-X	TRANSISTOR		
	D3402	1SS133-T2	SI DIODE				Q7305	DTC114EKA-X	TRANSISTOR		
	D3403	MTZJ3.9B-T2	ZENER DIODE				Q7306	DTC114EKA-X	TRANSISTOR		
	D3901	MTZJ8.2B-T2	DIODE				Q7307	DTC114EKA-X	TRANSISTOR		
	D6301	1SS133-T2	SI DIODE				Q7308	DTC114EKA-X	TRANSISTOR		
	D6401	1SS133-T2	SI DIODE				Q8101	2SC2412K/R/-X	TRANSISTOR		
	D7301	1SS133-T2	SI DIODE				Q8201	2SC2412K/R/-X	TRANSISTOR		
	D7302	1SS133-T2	SI DIODE				R1901	QRE141J-103Y	C RESISTOR	10K 5% 1/4W	
	D7303	1SS133-T2	SI DIODE				R3190	NRSA02J-101X	MG RESISTOR		
	D7304	1SS133-T2	SI DIODE			△	R3191	QRE141J-2R2Y	C RESISTOR	2.2 5% 1/4W	
	D7305	1SS133-T2	SI DIODE				R3192	NRSA02J-152X	MG RESISTOR		
	D7306	1SS133-T2	SI DIODE				R3193	NRSA02J-104X	MG RESISTOR		
	D7307	MTZJ4.3B-T2	ZENER DIODE				R3194	NRSA02J-103X	MG RESISTOR		
	D7351	1SS133-T2	SI DIODE				R3195	NRSA02J-222X	MG RESISTOR		
	D8301	MTZJ4.3B-T2	ZENER DIODE				R3196	NRSA02J-103X	MG RESISTOR		
	FW101	QJK019-033803	SIN CR C-B WIRE	PRIMARY - SECON		△	R3197	QAD0015-153Z	THERMISTOR		
	FW103	WJK0003-002A	E-SI C WIRE C-B	BATT - SECONDAR			R3198	NRSA02J-472X	MG RESISTOR		
	FW106	WJK0110-001A	E-SI C WIRE C-B	POWER - SECONDAR			R3199	NRSA02J-473X	MG RESISTOR		
	FW107	WJK0004-002A	E-SI C WIRE C-B	POWER - WOOFER			R3200	NRSA02J-123X	MG RESISTOR		
	FW414	QJK025-052600	SIN CR C-B WIRE	MAIN - MIC/GUIT			R3201	NRSA02J-152X	MG RESISTOR		
△	IC390	KIA78DL06PI	IC				R3202	NRSA02J-152X	MG RESISTOR		
	IC401	BA15218F-XE	IC	ADDER			R3203	NRSA02J-822X	MG RESISTOR		
	IC501	BH3852S	IC				R3204	NRSA02J-472X	MG RESISTOR		
△	IC631	TA8223K	IC				R3301	NRSA02J-471X	MG RESISTOR		
△	IC641	TA8233H	IC			△	R3302	QRE141J-1R0Y	C RESISTOR	1.0 5% 1/4W	
	IC701	BA15218F-XE	IC			△	R3303	QRE141J-1R0Y	C RESISTOR	1.0 5% 1/4W	
	IC702	BA15218F-XE	IC			△	R3304	QRE141J-1R0Y	C RESISTOR	1.0 5% 1/4W	
	IC703	BA15218F-XE	IC				R3305	NRSA02J-222X	MG RESISTOR		
	IC704	BA15218F-XE	IC				R3306	NRSA02J-682X	MG RESISTOR		
	IC801	BA15218F-XE	IC				R3307	NRSA02J-102X	MG RESISTOR		
△	J1901	QNC0042-001	AC SOCKET				R3308	NRSA02J-222X	MG RESISTOR		
△	J1902	QNA0016-001	DC JACK				R3309	NRSA02J-681X	MG RESISTOR		
	L3191	QLL28AK-101	CHOKO COIL				R3310	NRSA02J-681X	MG RESISTOR		
△	Q3191	DTA143TKA-X	TRANSISTOR				R3311	NRSA02J-681X	MG RESISTOR		
	Q3192	2SA1359/OY/	TRANSISTOR				R3312	NRSA02J-472X	MG RESISTOR		
	Q3193	DTA114TKA-X	D TARANSISTOR				R3313	NRSA02J-471X	MG RESISTOR		
	Q3194	2SC2412K/R/-X	TRANSISTOR				R3314	NRSA02J-332X	MG RESISTOR		
	Q3195	2SA1175/HFE/-T	TRANSISTOR				R3315	NRSA02J-472X	MG RESISTOR		
△	Q3196	2SA934/QR/-T	TRANSISTOR				R3316	NRSA02J-472X	MG RESISTOR		
	Q3197	2SC2785/FE/-T	TRANSISTOR				R3317	NRSA02J-682X	MG RESISTOR		
	Q3198	DTC114TKA-X	TRANSISTOR				R3318	NRSA02J-332X	MG RESISTOR		

■ Electrical parts list (Main board)

Block No. 01

△	Item	Parts number	Parts name	Remarks	Area	△	Item	Parts number	Parts name	Remarks	Area
	R3401	NRSA02J-390X	MG RESISTOR				R6401	NRSA02J-153X	MG RESISTOR		
	R3402	NRSA02J-102X	MG RESISTOR				R6402	NRSA02J-102X	MG RESISTOR		
	R3403	NRSA02J-472X	MG RESISTOR				R6403	NRSA02J-473X	MG RESISTOR		
	R3801	NRSA02J-0R0X	MG RESISTOR				R6404	NRSA02J-391X	MG RESISTOR		
	R3802	NRSA02J-331X	MG RESISTOR				R6405	NRSA02J-473X	MG RESISTOR		
△	R3901	QRZ9006-4R7X	F RESISTOR	4.7 1/4W			R6406	NRSA02J-391X	MG RESISTOR		
	R4142	NRSA02J-303X	MG RESISTOR				R6407	NRSA02J-224X	MG RESISTOR		
	R4143	NRSA02J-224X	MG RESISTOR			△	R6408	QRE141J-2R2Y	C RESISTOR	2.2 5% 1/4W	
	R4145	NRSA02J-124X	MG RESISTOR			△	R6409	QRE141J-2R2Y	C RESISTOR	2.2 5% 1/4W	
	R4146	NRSA02J-124X	MG RESISTOR			△	R6410	QRE141J-2R2Y	C RESISTOR	2.2 5% 1/4W	
	R4147	NRSA02J-913X	MG RESISTOR			△	R6411	QRE141J-2R2Y	C RESISTOR	2.2 5% 1/4W	
	R4151	NRSA02J-154X	MG RESISTOR				R7301	NRSA02J-473X	MG RESISTOR		
	R4152	NRSA02J-183X	MG RESISTOR				R7303	QRE141J-101Y	C RESISTOR	100 5% 1/4W	
	R4153	NRSA02J-473X	MG RESISTOR				R7305	NRSA02J-224X	MG RESISTOR		
	R4161	NRSA02J-333X	MG RESISTOR				R7307	NRSA02J-394X	MG RESISTOR		
	R4162	NRSA02J-102X	MG RESISTOR				R7308	NRSA02J-104X	MG RESISTOR		
	R4163	NRSA02J-332X	MG RESISTOR				R7309	NRSA02J-333X	MG RESISTOR		
	R4164	NRSA02J-821X	MG RESISTOR				R7310	QRE141J-101Y	C RESISTOR	100 5% 1/4W	
	R4165	NRSA02J-562X	MG RESISTOR				R7311	NRSA02J-184X	MG RESISTOR		
	R4191	NRSA02J-433X	MG RESISTOR				R7312	NRSA02J-104X	MG RESISTOR		
	R4242	NRSA02J-303X	MG RESISTOR				R7313	NRSA02J-104X	MG RESISTOR		
	R4243	NRSA02J-224X	MG RESISTOR				R7314	NRSA02J-273X	MG RESISTOR		
	R4245	NRSA02J-124X	MG RESISTOR				R7316	NRSA02J-104X	MG RESISTOR		
	R4246	NRSA02J-124X	MG RESISTOR				R7317	NRSA02J-104X	MG RESISTOR		
	R4247	NRSA02J-913X	MG RESISTOR				R7318	QRE141J-101Y	C RESISTOR	100 5% 1/4W	
	R4251	NRSA02J-154X	MG RESISTOR				R7319	NRSA02J-202X	MG RESISTOR		
	R4252	NRSA02J-183X	MG RESISTOR				R7320	NRSA02J-221X	MG RESISTOR		
	R4253	NRSA02J-473X	MG RESISTOR				R7321	NRSA02J-224X	MG RESISTOR		
	R4261	NRSA02J-333X	MG RESISTOR				R7322	NRSA02J-563X	MG RESISTOR		
	R4262	NRSA02J-102X	MG RESISTOR				R7323	NRSA02J-102X	MG RESISTOR		
	R4263	NRSA02J-332X	MG RESISTOR				R7324	NRSA02J-103X	MG RESISTOR		
	R4264	NRSA02J-821X	MG RESISTOR				R7325	NRSA02J-103X	MG RESISTOR		
	R4265	NRSA02J-562X	MG RESISTOR				R7326	NRSA02J-153X	MG RESISTOR		
	R4291	NRSA02J-433X	MG RESISTOR				R7327	NRSA02J-105X	MG RESISTOR		
	R4341	NRSA02J-103X	MG RESISTOR				R7328	NRSA02J-332X	MG RESISTOR		
	R4342	NRSA02J-103X	MG RESISTOR				R7329	NRSA02J-102X	MG RESISTOR		
	R4343	QRE141J-101Y	C RESISTOR	100 5% 1/4W			R7330	NRSA02J-103X	MG RESISTOR		
	R5101	NRSA02J-223X	MG RESISTOR				R7331	NRSA02J-472X	MG RESISTOR		
	R5102	NRSA02J-153X	MG RESISTOR				R7332	QRE141J-101Y	C RESISTOR	100 5% 1/4W	
	R5107	NRSA02J-104X	MG RESISTOR				R7333	NRSA02J-153X	MG RESISTOR		
	R5201	NRSA02J-223X	MG RESISTOR				R7334	NRSA02J-243X	MG RESISTOR		
	R5202	NRSA02J-153X	MG RESISTOR				R7336	NRSA02J-243X	MG RESISTOR		
	R5207	NRSA02J-104X	MG RESISTOR				R7338	NRSA02J-124X	MG RESISTOR		
	R5301	NRSA02J-104X	MG RESISTOR				R7342	NRSA02J-183X	MG RESISTOR		
	R5302	NRSA02J-333X	MG RESISTOR				R7344	NRSA02J-104X	MG RESISTOR		
	R5303	NRSA02J-104X	MG RESISTOR				R7351	NRSA02J-153X	MG RESISTOR		
	R5305	QRE141J-101Y	C RESISTOR	100 5% 1/4W			R7352	NRSA02J-102X	MG RESISTOR		
	R5308	NRSA02J-154X	MG RESISTOR				R7353	NRSA02J-123X	MG RESISTOR		
	R6101	NRSA02J-562X	MG RESISTOR				R7354	NRSA02J-153X	MG RESISTOR		
	R6102	NRSA02J-221X	MG RESISTOR				R7355	NRSA02J-102X	MG RESISTOR		
△	R6103	NRSA02J-103X	MG RESISTOR				R7356	NRSA02J-182X	MG RESISTOR		
	R6104	QRE141J-2R2Y	C RESISTOR	2.2 5% 1/4W			R7357	NRSA02J-102X	MG RESISTOR		
	R6105	NRSA02J-472X	MG RESISTOR				R7358	NRSA02J-472X	MG RESISTOR		
	R6201	NRSA02J-562X	MG RESISTOR				R7359	NRSA02J-102X	MG RESISTOR		
	R6202	NRSA02J-221X	MG RESISTOR				R7360	NRSA02J-153X	MG RESISTOR		
	R6203	NRSA02J-103X	MG RESISTOR				R8101	NRSA02J-332X	MG RESISTOR		
△	R6204	QRE141J-2R2Y	C RESISTOR	2.2 5% 1/4W			R8102	NRSA02J-272X	MG RESISTOR		
	R6205	NRSA02J-472X	MG RESISTOR				R8103	NRSA02J-392X	MG RESISTOR		
	R6301	NRSA02J-332X	MG RESISTOR				R8104	NRSA02J-104X	MG RESISTOR		
	R6302	NRSA02J-222X	MG RESISTOR				R8105	NRSA02J-332X	MG RESISTOR		
	R6303	NRSA02J-562X	MG RESISTOR				R8106	NRSA02J-123X	MG RESISTOR		
	R6304	NRSA02J-104X	MG RESISTOR				R8107	NRSA02J-103X	MG RESISTOR		
	R6305	NRSA02J-122X	MG RESISTOR				R8111	NRSA02J-224X	MG RESISTOR		

■ Electrical parts list (Main board)

Block No. 01

△	Item	Parts number	Parts name	Remarks	Area
	R8201	NRSA02J-332X	MG RESISTOR		
	R8202	NRSA02J-272X	MG RESISTOR		
	R8203	NRSA02J-392X	MG RESISTOR		
	R8204	NRSA02J-104X	MG RESISTOR		
	R8205	NRSA02J-332X	MG RESISTOR		
	R8206	NRSA02J-123X	MG RESISTOR		
	R8207	NRSA02J-103X	MG RESISTOR		
	R8211	NRSA02J-224X	MG RESISTOR		
	R8301	NRSA02J-102X	MG RESISTOR		
	R8302	NRSA02J-474X	MG RESISTOR		
	R8321	QRE141J-101Y	C RESISTOR	100 5% 1/4W	
	R8327	NRSA02J-101X	MG RESISTOR		
	Z1901	QNG0003-001Z	FUSE CLIP		
	Z1902	QNG0003-001Z	FUSE CLIP	FOR F1902	
	Z1903	QNG0003-001Z	FUSE CLIP	FOR F1903	
	Z1911	QNG0003-001Z	FUSE CLIP		
	Z1912	QNG0003-001Z	FUSE CLIP		
	Z1913	QNG0003-001Z	FUSE CLIP		

■ Electrical parts list (Micon board)

Block No. 02

△	Item	Parts number	Parts name	Remarks	Area	△	Item	Parts number	Parts name	Remarks	Area
	C 604	QEKC1AM-107Z	E CAPACITOR	100MF 20% 10V			CN961	QGB1214J1-06S	CONNECTOR		
	C 605	QETN1HM-106Z	E CAPACITOR	10MF 20% 50V			C2101	QEKC1HM-104Z	E CAPACITOR	.10MF 20% 50V	
	C 606	NCB21HK-102X	C CAPACITOR				C2102	NCB21HK-561X	C CAPACITOR		
	C 607	NCB21HK-102X	C CAPACITOR				C2103	NCB21HK-561X	C CAPACITOR		
	C 608	QETN1HM-105Z	E CAPACITOR	1.0MF 20% 50V			C2104	QEKC1CM-106Z	E CAPACITOR	10MF 20% 16V	
	C 609	NCS21HJ-101X	C CAPACITOR				C2105	QEKC1CM-106Z	E CAPACITOR	10MF 20% 16V	
	C 610	QFLM1HJ-273Z	M CAPACITOR	.027MF 5% 50V			C2106	NCB21HK-472X	C CAPACITOR		
	C 611	NCB21HK-472X	C CAPACITOR				C2107	NCB21HK-472X	C CAPACITOR		
	C 612	NCB21HK-103X	C CAPACITOR				C2108	NCF21HZ-104X	C CAPACITOR		
	C 613	NCS21HJ-331X	C CAPACITOR				C2201	QEKC1HM-104Z	E CAPACITOR	.10MF 20% 50V	
	C 614	QFVF1HJ-104Z	MF CAPACITOR	.10MF 5% 50V			C2202	NCB21HK-561X	C CAPACITOR		
	C 615	NCB21HK-223X	C CAPACITOR				C2203	NCB21HK-561X	C CAPACITOR		
	C 616	NCB21HK-223X	C CAPACITOR				C2204	QEKC1CM-106Z	E CAPACITOR	10MF 20% 16V	
	C 617	NCB21HK-223X	C CAPACITOR				C2205	QEKC1CM-106Z	E CAPACITOR	10MF 20% 16V	
	C 618	NCB21HK-222X	C CAPACITOR				C2206	NCB21HK-472X	C CAPACITOR		
	C 619	NCS21HJ-271X	C CAPACITOR				C2207	NCB21HK-472X	C CAPACITOR		
	C 620	NCS21HJ-181X	C CAPACITOR				C2208	NCF21HZ-104X	C CAPACITOR		
	C 622	QETN1EM-476Z	E CAPACITOR	47MF 20% 25V			C2301	QEKC1CM-226Z	E CAPACITOR	22MF 20% 16V	
	C 623	QFVF1HJ-104Z	MF CAPACITOR	.10MF 5% 50V			C2302	QEKC1CM-226Z	E CAPACITOR	22MF 20% 16V	
	C 628	QDX31EM-473Z	C CAPACITOR				C2303	QEKC1CM-106Z	E CAPACITOR	10MF 20% 16V	
	C 629	QETN1AM-107Z	E CAPACITOR	100MF 20% 10V			C2304	NCF21HZ-104X	C CAPACITOR		
	C 631	QETN1AM-477Z	E CAPACITOR	470MF 20% 10V			C2307	NCF21HZ-104X	C CAPACITOR		
	C 632	QEKC1AM-107Z	E CAPACITOR	100MF 20% 10V			C2308	NCF21HZ-104X	C CAPACITOR		
	C 640	NCB21HK-822X	C CAPACITOR				C2309	NCF21HZ-104X	C CAPACITOR		
	C 641	NCB21HK-223X	C CAPACITOR				C2311	NCB21HK-103X	C CAPACITOR		
	C 651	NCS21HJ-270X	C CAPACITOR				C2501	NCB21HK-103X	C CAPACITOR		
	C 652	NCS21HJ-270X	C CAPACITOR				C2502	NCB21HK-103X	C CAPACITOR		
	C 653	NCB21HK-223X	C CAPACITOR				C2503	NCB21HK-103X	C CAPACITOR		
	C 655	QDX31EM-473Z	C CAPACITOR				C2504	NCB21HK-103X	C CAPACITOR		
	C 661	NCB21HK-471X	C CAPACITOR				C2505	QER61CM-476Z	E CAPACITOR	47MF 20% 16V	
	C 662	NCB21HK-223X	C CAPACITOR				C2506	NCB21HK-103X	C CAPACITOR		
	C 663	QFLM1HJ-223Z	M CAPACITOR	.022MF 5% 50V			C2507	NCB21HK-103X	C CAPACITOR		
	C 664	NCB21HK-223X	C CAPACITOR				C6150	QETN1HM-105Z	E CAPACITOR	1.0MF 20% 50V	
	C 665	QFVF1HJ-104Z	MF CAPACITOR	.10MF 5% 50V			C6151	NCS21HJ-151X	C CAPACITOR		
	C 666	NCB21HK-102X	C CAPACITOR				C6152	NCS21HJ-151X	C CAPACITOR		
	C 667	QFLC1HJ-473Z	M CAPACITOR	PITCH CON			C6153	QETN1AM-107Z	E CAPACITOR	100MF 20% 10V	
	C 668	QENC1HM-105Z	NP E.CAPACITOR	PITCH CON			C6250	QETN1HM-105Z	E CAPACITOR	1.0MF 20% 50V	
	C 671	NCB21HK-222X	C CAPACITOR				C6251	NCS21HJ-151X	C CAPACITOR		
	C 672	NCB21HK-222X	C CAPACITOR				C6252	NCS21HJ-151X	C CAPACITOR		
	C 673	QTE1A28-227Z	E CAPACITOR				C6253	QETN1AM-107Z	E CAPACITOR	100MF 20% 10V	
	C 674	NCB21HK-223X	C CAPACITOR				C6350	QETN1CM-107Z	E CAPACITOR	100MF 20% 16V	
	C 675	NCB21HK-102X	C CAPACITOR				C6351	QETN1EM-476Z	E CAPACITOR	47MF 20% 25V	
	C 691	NCS21HJ-151X	C CAPACITOR				C6352	QETN1HM-475Z	E CAPACITOR	4.7MF 20% 50V	
	C 692	NCS21HJ-151X	C CAPACITOR				C9001	NCB21HK-102X	C CAPACITOR		
	C 693	NCS21HJ-151X	C CAPACITOR				C9002	NCB21HK-102X	C CAPACITOR		
	C 694	NCS21HJ-151X	C CAPACITOR				C9003	NCB21HK-102X	C CAPACITOR		
	C 696	NCS21HJ-101X	C CAPACITOR				C9004	NCB21HK-102X	C CAPACITOR		
	C 697	NCS21HJ-101X	C CAPACITOR				C9005	NCB21HK-103X	C CAPACITOR		
	C 698	NCS21HJ-101X	C CAPACITOR				C9006	NCS21HJ-680X	C CAPACITOR		
	C 699	NCS21HJ-101X	C CAPACITOR				C9007	NCS21HJ-151X	C CAPACITOR		
	CN421	QGF1205F1-17	CONNECTOR	TO MAIN			C9008	NCS21HJ-101X	C CAPACITOR		
	CN422	QGF1205F1-17	CONNECTOR	TO MAIN			C9009	NCS21HJ-151X	C CAPACITOR		
	CN424	QGA2501F1-05	CONNECTOR	TO FUNC			C9010	QEKC1CM-106Z	E CAPACITOR	10MF 20% 16V	
	CN601	QGF1008F1-15	21-41 CONNECTOR	TO RF			C9011	QER61CM-106Z	E CAPACITOR	10MF 20% 16V	
	CN602	QGA2001C1-06	6P PLUG ASSY				C9012	QER61CM-106Z	E CAPACITOR	10MF 20% 16V	
	CN911	QGF1205F1-14	CONNECTOR	TO MAIN SW			C9013	NCS21HJ-151X	C CAPACITOR		
	CN912	QGA2501C1-02	2P CONNECTOR	TO CD DOOR			C9014	NCS21HJ-151X	C CAPACITOR		
	CN915	QGA2501C1-03	3P CONNECTOR	TO PL PWB			C9015	NCS21HJ-151X	C CAPACITOR		
	CN916	QGF1205F1-09	CONNECTOR	TO SLC			C9016	NCS21HJ-151X	C CAPACITOR		
	CN921	QGF1205F1-14	CONNECTOR	TO MICON			C9017	NCB21HK-102X	C CAPACITOR		
	CN923	QGA2501F1-03	CONNECTOR				C9018	NCS21HJ-151X	C CAPACITOR		
	CN924	QGA2501F1-06	CONNECTOR	TO MICON			C9019	NCS21HJ-151X	C CAPACITOR		
	CN951	QGB1214K1-06S	CONNECTOR				C9020	NCS21HJ-151X	C CAPACITOR		

■ Electrical parts list (Micon board)

Block No. 02

△	Item	Parts number	Parts name	Remarks	Area	△	Item	Parts number	Parts name	Remarks	Area
	C9021	NCS21HJ-151X	C CAPACITOR				D9503	1SS133-T2	SI DIODE		
	C9022	NCB21HK-103X	C CAPACITOR				D9601	1SS133-T2	SI DIODE		
	C9023	QEK1CM-476Z	E CAPACITOR	47MF 20% 16V			D9602	1SS133-T2	SI DIODE		
	C9024	NCB21HK-103X	C CAPACITOR				D9603	1SS133-T2	SI DIODE		
	C9025	NCB21HK-103X	C CAPACITOR				D9604	1SS133-T2	SI DIODE		
	C9026	QEK1AM-107Z	E CAPACITOR	100MF 20% 10V			D9605	1SS133-T2	SI DIODE		
	C9027	NCB21HK-103X	C CAPACITOR				FW420	QJK002-07140Z	SIN CR C-B WIRE	AUX/HP - MAIN	
	C9028	QEK1CM-226Z	E CAPACITOR	22MF 20% 16V			FW429	QJK002-06140Z	SIN CR C-B WIRE	AUX/HP - MAIN	
	C9029	NCS21HJ-220X	C CAPACITOR				FW913	QJK025-032403	SIN CR C-B WIRE	MICOM - PAD	
	C9030	NCS21HJ-560X	C CAPACITOR				FW914	QJK025-063001	SIN CR C-B WIRE	MICOM - RHYTHM	
	C9031	NCS21HJ-360X	C CAPACITOR				FW922	QJK002-022202	SIN CR C-B WIRE	MICOM - CD DOO	
	C9032	NCS21HJ-360X	C CAPACITOR				FW925	QJK002-030906	SIN CR C-B WIRE	MICOM - LAMP	
	C9033	NCS21HJ-560X	C CAPACITOR				IC231	M65575-0012FP-X	IC		
	C9034	NCS21HJ-151X	C CAPACITOR				IC232	BA15218F-XE	IC		
	C9035	NCS21HJ-220X	C CAPACITOR				IC251	RPM6938-SV4	IC	REMOCON	
	C9036	NCB21HK-102X	C CAPACITOR				IC601	AN8806SB-W	IC	RF AMP	
	C9501	QER61HM-474Z	E CAPACITOR	.47MF 20% 50V		△	IC602	BA6897FP-W	IC	DRIVER	
	C9502	NCS21HJ-470X	C CAPACITOR				IC603	MN35510	IC	1CHIP PROCESSER	
	C9503	QER61EM-475Z	E CAPACITOR	4.7MF 20% 25V			IC615	BA15218F-XE	IC		
	C9504	QER61CM-226Z	E CAPACITOR	22MF 20% 16V			IC901	MN101C38CJC	IC	MICON LSI	
	C9505	QER61HM-335Z	E CAPACITOR	3.3MF 20% 50V			IC902	IC-PST9131-T	IC	RESET IC	
	C9506	QER61HM-224Z	E CAPACITOR	.22MF 20% 50V			IC951	BA15218F-XE	IC		
	C9507	QER61HM-335Z	E CAPACITOR	3.3MF 20% 50V			IC961	BA15218F-XE	IC		
	C9508	QER61CM-336Z	E CAPACITOR	33MF 20% 16V			IC962	BA15218F-XE	IC		
	C9509	QER61CM-476Z	E CAPACITOR	47MF 20% 16V			IH601	VYH7237-001	IC HOLDER		
	C9510	QER61HM-105Z	E CAPACITOR	1.0MF 20% 50V			IH602	VYH7237-003	IC HOLDER		
	C9601	QER61HM-104Z	E CAPACITOR	.10MF 20% 50V			IH603	VYH7237-003	IC HOLDER		
	C9602	NCS21HJ-331X	C CAPACITOR				IH901	VYH7237-002	IC HOLDER		
	C9603	QER61HM-334Z	E CAPACITOR	.33MF 20% 50V			J4301	QNS0047-001	JACK		
	C9604	QER61HM-105Z	E CAPACITOR	1.0MF 20% 50V			J6301	QNS0032-001	JACK		
	C9605	QER61CM-476Z	E CAPACITOR	47MF 20% 16V			J9501	QNS0091-001	JACK	MIC JACK	
	C9606	QER61HM-105Z	E CAPACITOR	1.0MF 20% 50V			J9601	QNS0091-001	JACK	GUITARJACK	
	C9607	QER61CM-106Z	E CAPACITOR	10MF 20% 16V			K 696	QQR1183-001Z	F.BEADS	(B1181)	
	C9608	NCS21HJ-680X	C CAPACITOR				K2301	QQR1183-001Z	F.BEADS		
	C9609	QER61HM-105Z	E CAPACITOR	1.0MF 20% 50V			K4331	QQR1183-001Z	F.BEADS		
	C9610	QER61HM-335Z	E CAPACITOR	3.3MF 20% 50V			K4332	QQR1183-001Z	F.BEADS		
	C9611	QER61HM-335Z	E CAPACITOR	3.3MF 20% 50V			K6351	QQR1183-001Z	F.BEADS	FOR EMC	
	C9612	NCS21HJ-221X	C CAPACITOR				K9001	QQR1183-001Z	F.BEADS		
	C9613	QER61HM-105Z	E CAPACITOR	1.0MF 20% 50V			K9002	QQR1183-001Z	F.BEADS	CD GND	
	C9614	QER61HM-105Z	E CAPACITOR	1.0MF 20% 50V			K9003	QQR1183-001Z	F.BEADS	CD GND	
	C9615	QER61CM-476Z	E CAPACITOR	47MF 20% 16V			K9004	QQR1183-001Z	F.BEADS	CD GND	
	C9616	QER61CM-476Z	E CAPACITOR	47MF 20% 16V			K9501	QQR1183-001Z	F.BEADS		
	C9617	NCB21EK-683X	C CAPACITOR				K9601	QQR1183-001Z	F.BEADS		
	D 661	1SS133-T2	SI DIODE				L2301	QLL231K-4R7Y	INDUCTOR		
	DI901	QLD0121-001	LCD MODULE				L9001	QLL244K-100Z	INDUCTOR		
	D2101	1SS133-T2	SI DIODE				L9002	QLL244K-100Z	INDUCTOR		
	D2110	MA700A-T2	S.B.DIODE				L9003	QLL244K-100Z	INDUCTOR		
	D2201	1SS133-T2	SI DIODE				PL 1	QLL0052-002	P.LAMP		
	D2502	SLR-342VR-T15	LED	STAND-BY LED			Q 601	2SA952/LK/-T	TRANSISTOR		
	D2503	1SS133-T2	SI DIODE				Q 631	2SA952/LK/-T	TRANSISTOR		
	D4331	MTZJ6.2A-T2	Z.DIODE				Q2101	DTC114TKA-X	TRANSISTOR		
	D4332	1SS133-T2	SI DIODE				Q2102	DTA114EKA-X	D TRANSISTOR		
	D4333	1SS133-T2	SI DIODE				Q2201	DTC114TKA-X	TRANSISTOR		
	D6351	1SS133-T2	SI DIODE				Q2202	DTA114EKA-X	D TRANSISTOR		
	D6352	MTZJ3.6A-T2	ZENER DIODE				Q2301	2SC2785FF-T	TRANSISTOR		
	D6353	1SS133-T2	SI DIODE				Q2302	2SA1037AK/RS/-X	TRANSISTOR		
	D6354	MTZJ4.7A-T2	Z DIODE				Q2501	DTA124XKA-X	D TRANSISTOR	STAND-BY LED	
	D9001	1SS133-T2	SI DIODE				Q4131	2SD2114K/VW/-X	CHIP TRANSISTOR		
	D9002	MTZJ5.1C-T2	ZENER DIODE				Q4231	2SD2114K/VW/-X	CHIP TRANSISTOR		
	D9003	MA700A-T2	S.B.DIODE				Q4331	DTA144EKA-X	TRANSISTOR		
	D9004	1SS133-T2	SI DIODE				Q6150	2SD596/4/-X	TRANSISTOR		
	D9501	1SS133-T2	SI DIODE				Q6151	2SD596/4/-X	TRANSISTOR		
	D9502	1SS133-T2	SI DIODE				Q6250	2SD596/4/-X	TRANSISTOR		

■ Electrical parts list (Micon board)

Block No. 02

△	Item	Parts number	Parts name	Remarks	Area	△	Item	Parts number	Parts name	Remarks	Area
	Q6251	2SD596/4/-X	TRANSISTOR				R2104	NRSA02J-393X	MG RESISTOR		
	Q6350	DTC114EKA-X	TRANSISTOR				R2105	NRSA02J-222X	MG RESISTOR		
	Q6351	DTA144EKA-X	TRANSISTOR				R2106	NRSA02J-222X	MG RESISTOR		
	Q9001	2SC2668/O/-T	TRANSISTOR	OSCILATOR			R2107	NRSA02J-183X	MG RESISTOR		
	Q9002	2SC2668/O/-T	TRANSISTOR	OSCILATOR			R2108	NRSA02J-183X	MG RESISTOR		
	Q9003	2SC2412K/R/-X	TRANSISTOR				R2201	NRSA02J-103X	MG RESISTOR		
	Q9004	2SB624/4/-X	TRANSISTOR	LAMP CON.			R2202	NRSA02J-333X	MG RESISTOR		
	Q9005	2SC2412K/R/-X	TRANSISTOR	AC/DC			R2203	NRSA02J-393X	MG RESISTOR		
	Q9006	2SC2412K/R/-X	TRANSISTOR	LAMP CON.			R2204	NRSA02J-393X	MG RESISTOR		
	Q9009	2SC2412K/R/-X	TRANSISTOR				R2205	NRSA02J-222X	MG RESISTOR		
	Q9010	2SA1037AK/RS/-X	TRANSISTOR				R2206	NRSA02J-222X	MG RESISTOR		
	Q9501	DTC114TKA-X	TRANSISTOR				R2207	NRSA02J-183X	MG RESISTOR		
	Q9502	2SA1037AK/RS/-X	TRANSISTOR				R2208	NRSA02J-183X	MG RESISTOR		
	Q9503	2SC2412K/R/-X	TRANSISTOR				R2301	NRSA02J-154X	MG RESISTOR		
	Q9504	2SC2412K/R/-X	TRANSISTOR				R2302	NRSA02J-154X	MG RESISTOR		
	Q9601	2SC2412K/R/-X	TRANSISTOR				R2303	QRE141J-101Y	C RESISTOR	100 5% 1/4W	
	Q9602	2SC2412K/R/-X	TRANSISTOR				R2304	NRSA02J-222X	MG RESISTOR		
	Q9603	DTC114TKA-X	TRANSISTOR				R2305	NRSA02J-822X	MG RESISTOR		
	Q9604	2SA1037AK/RS/-X	TRANSISTOR				R2306	NRSA02J-221X	MG RESISTOR		
	R 601	NRSA02J-113X	MG RESISTOR				R2308	NRSA02J-105X	MG RESISTOR		
	R 603	NRSA02J-125X	MG RESISTOR				R2310	NRSA02J-104X	MG RESISTOR		
	R 605	NRSA02J-274X	MG RESISTOR				R2500	NRSA02J-101X	MG RESISTOR		
	R 606	NRSA02J-154X	MG RESISTOR				R2501	NRSA02J-101X	MG RESISTOR		
	R 607	NRSA02J-273X	MG RESISTOR				R2502	NRSA02J-121X	MG RESISTOR		
	R 609	NRSA02J-104X	MG RESISTOR				R2503	NRSA02J-181X	MG RESISTOR		
	R 610	NRSA02J-154X	MG RESISTOR				R2504	NRSA02J-221X	MG RESISTOR		
	R 612	NRSA02J-102X	MG RESISTOR				R2505	NRSA02J-271X	MG RESISTOR		
	R 613	NRSA02J-121X	MG RESISTOR				R2506	NRSA02J-391X	MG RESISTOR		
	R 614	NRSA02J-100X	MG RESISTOR				R2507	NRSA02J-561X	MG RESISTOR		
	R 615	NRSA02J-120X	MG RESISTOR				R2508	NRSA02J-102X	MG RESISTOR		
	R 616	NRSA02J-910X	MG RESISTOR				R2509	NRSA02J-182X	MG RESISTOR		
	R 621	NRSA02J-330X	MG RESISTOR				R2510	NRSA02J-512X	MG RESISTOR		
	R 622	NRSA02J-330X	MG RESISTOR				R2511	NRSA02J-101X	MG RESISTOR		
	R 623	NRSA02J-330X	MG RESISTOR				R2512	NRSA02J-121X	MG RESISTOR		
	R 631	NRSA02J-331X	MG RESISTOR				R2513	NRSA02J-181X	MG RESISTOR		
	R 632	NRSA02J-101X	MG RESISTOR				R2514	NRSA02J-221X	MG RESISTOR		
	R 633	NRSA02J-273X	MG RESISTOR				R2515	NRSA02J-101X	MG RESISTOR		
	R 641	NRSA02J-563X	MG RESISTOR				R2521	NRSA02J-271X	MG RESISTOR		
	R 642	NRSA02J-123X	MG RESISTOR				R2522	NRSA02J-391X	MG RESISTOR		
	R 643	NRSA02J-822X	MG RESISTOR				R2523	NRSA02J-561X	MG RESISTOR		
	R 644	NRSA02J-223X	MG RESISTOR				R2524	NRSA02J-102X	MG RESISTOR		
	R 645	NRSA02J-223X	MG RESISTOR				R2525	NRSA02J-362X	MG RESISTOR		
	R 646	NRSA02J-222X	MG RESISTOR				R2530	NRSA02J-121X	MG RESISTOR		
	R 647	NRSA02J-472X	MG RESISTOR				R2534	NRSA02J-151X	MG RESISTOR		
	R 651	NRSA02J-102X	MG RESISTOR				R4131	NRSA02J-124X	MG RESISTOR		
	R 652	NRSA02J-102X	MG RESISTOR				R4132	NRSA02J-473X	MG RESISTOR		
	R 653	NRSA02J-102X	MG RESISTOR				R4133	NRSA02J-222X	MG RESISTOR		
	R 654	NRSA02J-102X	MG RESISTOR				R4231	NRSA02J-124X	MG RESISTOR		
	R 655	NRSA02J-471X	MG RESISTOR				R4232	NRSA02J-473X	MG RESISTOR		
	R 659	NRSA02J-221X	MG RESISTOR				R4233	NRSA02J-222X	MG RESISTOR		
	R 661	NRSA02J-683X	MG RESISTOR				R6150	NRSA02J-223X	MG RESISTOR		
	R 662	NRSA02J-155X	MG RESISTOR				R6151	NRSA02J-223X	MG RESISTOR		
	R 663	NRSA02J-124X	MG RESISTOR				R6152	NRSA02J-102X	MG RESISTOR		
	R 664	NRSA02J-471X	MG RESISTOR				R6153	NRSA02J-220X	MG RESISTOR		
	R 665	NRSA02J-562X	MG RESISTOR				R6154	NRSA02J-222X	MG RESISTOR		
	R 666	NRSA02J-220X	MG RESISTOR				R6155	NRSA02J-222X	MG RESISTOR		
	R 671	NRSA02J-103X	MG RESISTOR				R6156	NRSA02J-472X	MG RESISTOR		
	R 672	NRSA02J-103X	MG RESISTOR				R6157	NRSA02J-103X	MG RESISTOR		
	R 696	NRSA02J-222X	MG RESISTOR				R6158	NRSA02J-153X	MG RESISTOR		
	R 697	NRSA02J-474X	MG RESISTOR				R6159	NRSA02J-472X	MG RESISTOR		
	R2101	NRSA02J-103X	MG RESISTOR				R6250	NRSA02J-223X	MG RESISTOR		
	R2102	NRSA02J-333X	MG RESISTOR				R6251	NRSA02J-223X	MG RESISTOR		
	R2103	NRSA02J-393X	MG RESISTOR				R6252	NRSA02J-102X	MG RESISTOR		

■ Electrical parts list (Micon board)

Block No. 02

△	Item	Parts number	Parts name	Remarks	Area	△	Item	Parts number	Parts name	Remarks	Area
	R6253	NRSA02J-220X	MG RESISTOR				R9054	NRSA02J-102X	MG RESISTOR		
	R6254	NRSA02J-222X	MG RESISTOR				R9055	NRSA02J-102X	MG RESISTOR		
	R6255	NRSA02J-222X	MG RESISTOR				R9056	NRSA02J-102X	MG RESISTOR		
	R6256	NRSA02J-472X	MG RESISTOR				R9057	NRSA02J-222X	MG RESISTOR		
	R6257	NRSA02J-103X	MG RESISTOR				R9058	NRSA02J-472X	MG RESISTOR		
	R6258	NRSA02J-153X	MG RESISTOR				R9059	NRSA02J-912X	MG RESISTOR		
	R6259	NRSA02J-472X	MG RESISTOR				R9060	NRSA02J-102X	MG RESISTOR		
	R6350	NRSA02J-121X	MG RESISTOR				R9061	NRSA02J-222X	MG RESISTOR		
	R6351	NRSA02J-102X	MG RESISTOR				R9062	NRSA02J-222X	MG RESISTOR		
	R6352	NRSA02J-121X	MG RESISTOR				R9063	NRSA02J-473X	MG RESISTOR		
	R6353	NRSA02J-473X	MG RESISTOR				R9064	NRSA02J-473X	MG RESISTOR		
	R6354	NRSA02J-472X	MG RESISTOR				R9065	NRSA02J-103X	MG RESISTOR		
	R9001	NRSA02J-104X	MG RESISTOR				R9066	NRSA02J-103X	MG RESISTOR		
	R9002	NRSA02J-104X	MG RESISTOR				R9067	NRSA02J-104X	MG RESISTOR		
	R9003	NRSA02J-104X	MG RESISTOR				R9068	NRSA02J-102X	MG RESISTOR		
	R9004	NRSA02J-393X	MG RESISTOR				R9069	NRSA02J-222X	MG RESISTOR		
	R9005	NRSA02J-104X	MG RESISTOR				R9070	NRSA02J-472X	MG RESISTOR		
	R9006	NRSA02J-224X	MG RESISTOR				R9071	NRSA02J-472X	MG RESISTOR		
	R9007	NRSA02J-222X	MG RESISTOR				R9072	NRSA02J-472X	MG RESISTOR		
	R9008	NRSA02J-103X	MG RESISTOR				R9073	NRSA02J-102X	MG RESISTOR		
	R9009	NRSA02J-222X	MG RESISTOR				R9074	NRSA02J-103X	MG RESISTOR		
	R9010	NRSA02J-222X	MG RESISTOR				R9075	NRSA02J-102X	MG RESISTOR		
	R9011	NRSA02J-222X	MG RESISTOR				R9076	NRSA02J-103X	MG RESISTOR		
	R9012	NRSA02J-102X	MG RESISTOR				R9077	NRSA02J-103X	MG RESISTOR		
	R9013	NRSA02J-222X	MG RESISTOR				R9078	NRSA02J-103X	MG RESISTOR		
	R9014	NRSA02J-222X	MG RESISTOR				R9079	NRSA02J-562X	MG RESISTOR		
	R9015	NRSA02J-102X	MG RESISTOR				R9080	NRSA02J-222X	MG RESISTOR		
	R9016	NRSA02J-222X	MG RESISTOR				R9081	NRSA02J-102X	MG RESISTOR		
	R9017	NRSA02J-102X	MG RESISTOR				R9082	NRSA02J-102X	MG RESISTOR		
	R9018	NRSA02J-222X	MG RESISTOR				R9083	NRSA02J-472X	MG RESISTOR		
	R9019	NRSA02J-102X	MG RESISTOR				R9084	NRSA02J-472X	MG RESISTOR		
	R9020	NRSA02J-682X	MG RESISTOR				R9085	NRSA02J-472X	MG RESISTOR		
	R9022	NRSA02J-103X	MG RESISTOR				R9086	NRSA02J-472X	MG RESISTOR		
	R9024	NRSA02J-222X	MG RESISTOR				R9087	NRSA02J-472X	MG RESISTOR		
	R9025	NRSA02J-822X	MG RESISTOR				R9088	NRSA02J-103X	MG RESISTOR		
	R9026	NRSA02J-103X	MG RESISTOR				R9089	NRSA02J-104X	MG RESISTOR		
	R9027	NRSA02J-222X	MG RESISTOR				R9090	NRSA02J-103X	MG RESISTOR		
	R9028	NRSA02J-822X	MG RESISTOR				R9091	NRSA02J-102X	MG RESISTOR		
	R9029	NRSA02J-912X	MG RESISTOR				R9092	NRSA02J-102X	MG RESISTOR		
	R9030	NRSA02J-222X	MG RESISTOR				R9093	NRSA02J-102X	MG RESISTOR		
	R9031	NRSA02J-102X	MG RESISTOR				R9094	NRSA02J-102X	MG RESISTOR		
	R9032	NRSA02J-102X	MG RESISTOR				R9095	NRSA02J-472X	MG RESISTOR		
	R9033	NRSA02J-102X	MG RESISTOR				R9098	NRSA02J-333X	MG RESISTOR		
	R9034	NRSA02J-103X	MG RESISTOR				R9099	NRSA02J-473X	MG RESISTOR		
	R9035	NRSA02J-103X	MG RESISTOR				R9100	NRSA02J-104X	MG RESISTOR		
	R9036	NRSA02J-222X	MG RESISTOR				R9101	NRSA02J-104X	MG RESISTOR		
	R9037	NRSA02J-222X	MG RESISTOR				R9102	NRSA02J-103X	MG RESISTOR		
	R9038	NRSA02J-682X	MG RESISTOR				R9103	NRSA02J-222X	MG RESISTOR		
	R9039	NRSA02J-103X	MG RESISTOR				R9108	NRSA02J-563X	MG RESISTOR		
	R9040	NRSA02J-103X	MG RESISTOR				R9109	NRSA02J-473X	MG RESISTOR		
	R9041	NRSA02J-243X	MG RESISTOR				R9110	NRSA02J-473X	MG RESISTOR		
	R9042	NRSA02J-243X	MG RESISTOR				R9111	NRSA02J-473X	MG RESISTOR		
	R9043	NRSA02J-103X	MG RESISTOR				R9112	NRSA02J-472X	MG RESISTOR		
	R9044	NRSA02J-103X	MG RESISTOR				R9501	NRSA02J-104X	MG RESISTOR		
	R9045	NRSA02J-103X	MG RESISTOR				R9502	NRSA02J-102X	MG RESISTOR		
	R9046	NRSA02J-222X	MG RESISTOR				R9503	NRSA02J-103X	MG RESISTOR		
	R9047	NRSA02J-473X	MG RESISTOR				R9504	NRSA02J-564X	MG RESISTOR		
	R9048	NRSA02J-222X	MG RESISTOR				R9505	NRSA02J-222X	MG RESISTOR		
	R9049	NRSA02J-473X	MG RESISTOR				R9506	QRE141J-221Y	C RESISTOR	220 5% 1/4W	
	R9050	NRSA02J-222X	MG RESISTOR				R9507	NRSA02J-103X	MG RESISTOR		
	R9051	NRSA02J-103X	MG RESISTOR				R9508	NRSA02J-102X	MG RESISTOR		
	R9052	NRSA02J-102X	MG RESISTOR				R9509	NRSA02J-224X	MG RESISTOR		
	R9053	NRSA02J-102X	MG RESISTOR				R9510	NRSA02J-103X	MG RESISTOR		

■ Electrical parts list (Micon board)

Block No. 02

△	Item	Parts number	Parts name	Remarks	Area
	R9511	NRSA02J-473X	MG RESISTOR		
	R9512	NRSA02J-473X	MG RESISTOR		
	R9513	NRSA02J-102X	MG RESISTOR		
	R9514	NRSA02J-103X	MG RESISTOR		
	R9515	NRSA02J-154X	MG RESISTOR		
	R9516	NRSA02J-154X	MG RESISTOR		
	R9601	NRSA02J-184X	MG RESISTOR		
	R9602	NRSA02J-823X	MG RESISTOR		
	R9603	NRSA02J-393X	MG RESISTOR		
	R9604	NRSA02J-333X	MG RESISTOR		
	R9605	NRSA02J-563X	MG RESISTOR		
	R9606	QRE141J-101Y	C RESISTOR	100 5% 1/4W	
	R9607	NRSA02J-182X	MG RESISTOR		
	R9608	NRSA02J-273X	MG RESISTOR		
	R9609	NRSA02J-224X	MG RESISTOR		
	R9610	NRSA02J-101X	MG RESISTOR		
	R9611	NRSA02J-104X	MG RESISTOR		
	R9612	NRSA02J-474X	MG RESISTOR		
	R9613	NRSA02J-222X	MG RESISTOR		
	R9614	NRSA02J-222X	MG RESISTOR		
	R9615	NRSA02J-222X	MG RESISTOR		
	R9616	NRSA02J-222X	MG RESISTOR		
	R9617	NRSA02J-103X	MG RESISTOR		
	R9618	NRSA02J-103X	MG RESISTOR		
	R9619	NRSA02J-122X	MG RESISTOR		
	R9620	NRSA02J-473X	MG RESISTOR		
	R9621	NRSA02J-563X	MG RESISTOR		
	R9622	NRSA02J-223X	MG RESISTOR		
	R9623	QRE141J-101Y	C RESISTOR	100 5% 1/4W	
	R9624	NRSA02J-473X	MG RESISTOR		
	R9625	NRSA02J-473X	MG RESISTOR		
	R9626	NRSA02J-683X	MG RESISTOR		
	R9627	NRSA02J-683X	MG RESISTOR		
	R9628	NRSA02J-393X	MG RESISTOR		
	S2501	QSW0622-001Z	TACT SWITCH	SOUND	
	S2502	QSW0622-001Z	TACT SWITCH	PRESET	
	S2503	QSW0622-001Z	TACT SWITCH	REC	
	S2504	QSW0622-001Z	TACT SWITCH	CD	
	S2505	QSW0622-001Z	TACT SWITCH	TAPE	
	S2506	QSW0622-001Z	TACT SWITCH	TUNER	
	S2507	QSW0622-001Z	TACT SWITCH	AUX	
	S2508	QSW0622-001Z	TACT SWITCH	REW	
	S2509	QSW0622-001Z	TACT SWITCH	STOP	
	S2510	QSW0622-001Z	TACT SWITCH	FF	
	S2511	QSW0622-001Z	TACT SWITCH		
	S2520	QSW0622-001Z	TACT SWITCH	POWER	
	S2521	QSW0622-001Z	TACT SWITCH		
	S2522	QSW0622-001Z	TACT SWITCH		
	S2523	QSW0622-001Z	TACT SWITCH		
	S2524	QSW0622-001Z	TACT SWITCH		
	S2525	QSW0622-001Z	TACT SWITCH		
	S2526	QSW0882-001Z	TACT SWITCH		
	S2527	QSW0622-001Z	TACT SWITCH		
	S2528	QSW0622-001Z	TACT SWITCH		
	S2529	QSW0622-001Z	TACT SWITCH		
	S2530	QSW0622-001Z	TACT SWITCH		
	S2531	QSW0122-001	PUSH SWITCH	CD DOOR	
	VR901	QSW0868-001	ROTARY ENCODER		
	VR902	QSW0868-001	ROTARY ENCODER		
	VR903	QSW0869-001	ROTARY ENCODER		
	VR951	QVQ0020-B14	V.RES	MIC VR	
	VR961	QVQ0020-B14	V.RES	GUITAR VR	
	X 651	QAX0369-001Z	CERA LOCK	16.9344MHZ	

△	Item	Parts number	Parts name	Remarks	Area
	X9001	QAX0401-001	CRYSTAL		
	X9002	QAX0416-001Z	CERA LOCK		

■ Electrical parts list (Tuner board)

Block No. 03

△	Item	Parts number	Parts name	Remarks	Area
C	3	QCSB1HK-5R6Y	C CAPACITOR	5.6PF 10% 50V	
C	6	QDYB1CM-103Y	C CAPACITOR		
C	7	QDYB1CM-103Y	C CAPACITOR		
C	9	QCSB1HJ-120Y	C CAPACITOR	12PF 5% 50V	
C	13	QDX31EM-223Z	C CAPACITOR		
C	16	QDYB1CM-103Y	C CAPACITOR		
C	21	QDX31EM-473Z	C CAPACITOR		
C	22	QFP31HJ-431Z	PP CAPACITOR	430PF 5% 50V	
C	23	QDCB1HJ-120Y	C CAPACITOR		
C	24	QCSB1HJ-620Y	C CAPACITOR	62PF 5% 50V	
C	25	QDX31EM-473Z	C CAPACITOR		
C	26	QFP31HJ-181Z	PP CAPACITOR	180PF 5% 50V	
C	27	QCS31HJ-101Z	C CAPACITOR	100PF 5% 50V	
C	28	QCSB1HJ-150Y	C CAPACITOR	15PF 5% 50V	
C	30	QCBB1HK-331Y	C CAPACITOR	330PF 10% 50V	
C	31	QDGB1HK-102Y	C CAPACITOR		
C	32	QDYB1CM-103Y	C CAPACITOR		
C	33	QETN1AM-107Z	E CAPACITOR	100MF 20% 10V	
C	35	QDX31EM-473Z	C CAPACITOR		
C	36	QETN1HM-475Z	E CAPACITOR	4.7MF 20% 50V	
C	37	QDGB1HK-102Y	C CAPACITOR		
C	40	QDYB1CM-103Y	C CAPACITOR		
C	41	QETN1HM-475Z	E CAPACITOR	4.7MF 20% 50V	
C	42	QDX31EM-473Z	C CAPACITOR		
C	43	QETN1HM-104Z	C CAPACITOR	.10MF 20% 50V	
C	44	QETN1HM-105Z	E CAPACITOR	1.0MF 20% 50V	
C	45	QETN1HM-104Z	C CAPACITOR	.10MF 20% 50V	
C	47	QDX31EM-153Z	C CAPACITOR		
C	48	QDX31EM-153Z	C CAPACITOR		
C	49	QETN1HM-104Z	C CAPACITOR	.10MF 20% 50V	
C	50	QETN1HM-104Z	C CAPACITOR	.10MF 20% 50V	
C	51	QCBB1HK-331Y	C CAPACITOR	330PF 10% 50V	
C	52	QDGB1HK-102Y	C CAPACITOR		
C	60	QDGB1HK-102Y	C CAPACITOR		
C	61	QETN1AM-107Z	E CAPACITOR	100MF 20% 10V	
C	62	QDCB1HJ-120Y	C CAPACITOR		
C	63	QDGB1HK-102Y	C CAPACITOR		
C	64	QDCB1HJ-120Y	C CAPACITOR		
C	65	QDGB1HK-102Y	C CAPACITOR		
C	69	QDXB1CM-222Y	C CAPACITOR		
C	70	QETN1HM-225Z	E CAPACITOR	2.2MF 20% 50V	
C	71	QETN1CM-106Z	E CAPACITOR	10MF 20% 16V	
C	77	QDYB1CM-103Y	C CAPACITOR		
C	81	QCSB1HJ-150Y	C CAPACITOR	15PF 5% 50V	
C	83	QCSB1HJ-560Y	C CAPACITOR	56PF 5% 50V	
C	85	QCSB1HJ-150Y	C CAPACITOR	15PF 5% 50V	
CF	1	QAX0403-001	C FILTER		
CF	3	QAX0538-001Z	CRYSTAL		
CN	1	QGF1205C1-09	CONNECTOR	TO MAIN	
D	1	SVC203SPA-JV-T	VARI CAP		
D	2	SVC203SPA-JV-T	VARI CAP		
D	5	1SS133-T2	SI DIODE		
D	6	1SS133-T2	SI DIODE		
D	8	SVC344-T	VARI CAP		
D	10	SVC344-T	VARI CAP		
D	12	DSK10C-T1	DIODE		
D	13	1SS133-T2	SI DIODE		
IC	1	TA2104AN	IC		
IC	2	LC72136N	IC		
L	1	QQR0772-001	OSC COIL	FM OSC	
L	2	QQR0769-001	RF COIL	FM RF	
L	3	QQR0771-001	BAR ANTENA	MW RF	
L	4	QQR0723-001	OSC COIL	MW OSC	
L	6	QQR0774-001	OSC COIL(LW)		

△	Item	Parts number	Parts name	Remarks	Area
L	7	QQL231K-221Y	INDUCTOR		
L	10	QQL231K-4R7Y	INDUCTOR		
L	12	QQR0756-001	INDUCTOR		
Q	1	2SC2668/O-T	TRANSISTOR		
Q	2	2SC2668/O-T	TRANSISTOR		
Q	3	2SC2668/O-T	TRANSISTOR		
Q	4	2SA1175/HFE-T	TRANSISTOR		
Q	5	2SC2668/O-T	TRANSISTOR		
Q	6	2SC2668/O-T	TRANSISTOR		
Q	14	DTA114YSA-T	D TRANSISTOR		
R	1	QRE141J-104Y	C RESISTOR	100K 5% 1/4W	
R	2	QRE141J-473Y	C RESISTOR	47K 5% 1/4W	
R	3	QRE141J-220Y	C RESISTOR	22 5% 1/4W	
R	4	QRE141J-473Y	C RESISTOR	47K 5% 1/4W	
R	7	QRE141J-104Y	C RESISTOR	100K 5% 1/4W	
R	9	QRE141J-472Y	C RESISTOR	4.7K 5% 1/4W	
R	12	QRE141J-472Y	C RESISTOR	4.7K 5% 1/4W	
R	13	QRE141J-104Y	C RESISTOR	100K 5% 1/4W	
R	14	QRE141J-103Y	C RESISTOR	10K 5% 1/4W	
R	15	QRE141J-222Y	C RESISTOR	2.2K 5% 1/4W	
R	16	QRE141J-472Y	C RESISTOR	4.7K 5% 1/4W	
R	17	QRE141J-104Y	C RESISTOR	100K 5% 1/4W	
R	18	QRE141J-102Y	C RESISTOR	1.0K 5% 1/4W	
R	19	QRE141J-222Y	C RESISTOR	2.2K 5% 1/4W	
R	20	QRE141J-223Y	C RESISTOR	22K 5% 1/4W	
R	21	QRE141J-223Y	C RESISTOR	22K 5% 1/4W	
R	24	QRE141J-681Y	C RESISTOR	680 5% 1/4W	
R	25	QRE141J-102Y	C RESISTOR	1.0K 5% 1/4W	
R	30	QRE141J-183Y	C RESISTOR	18K 5% 1/4W	
R	31	QRE141J-104Y	C RESISTOR	100K 5% 1/4W	
R	32	QRE141J-332Y	C RESISTOR	3.3K 5% 1/4W	
R	33	QRE141J-471Y	C RESISTOR	470 5% 1/4W	
R	34	QRE141J-222Y	C RESISTOR	2.2K 5% 1/4W	
R	35	QRE141J-183Y	C RESISTOR	18K 5% 1/4W	
R	36	QRE141J-183Y	C RESISTOR	18K 5% 1/4W	
R	37	QRE141J-560Y	C RESISTOR	56 5% 1/4W	
R	38	QRE141J-101Y	C RESISTOR	100 5% 1/4W	
R	39	QRE141J-680Y	C RESISTOR	68 5% 1/4W	
R	40	QRE141J-222Y	C RESISTOR	2.2K 5% 1/4W	
R	41	QRE141J-222Y	C RESISTOR	2.2K 5% 1/4W	
R	42	QRE141J-473Y	C RESISTOR	47K 5% 1/4W	
R	44	QRE141J-222Y	C RESISTOR	2.2K 5% 1/4W	
R	45	QRE141J-102Y	C RESISTOR	1.0K 5% 1/4W	
R	47	QRE141J-220Y	C RESISTOR	22 5% 1/4W	
R	48	QRE141J-102Y	C RESISTOR	1.0K 5% 1/4W	
R	51	QRE141J-331Y	C RESISTOR	330 5% 1/4W	
R	52	QRE141J-103Y	C RESISTOR	10K 5% 1/4W	
R	54	QRE141J-222Y	C RESISTOR	2.2K 5% 1/4W	
R	55	QRE141J-222Y	C RESISTOR	2.2K 5% 1/4W	
R	56	QRE141J-332Y	C RESISTOR	3.3K 5% 1/4W	
R	57	QRE141J-102Y	C RESISTOR	1.0K 5% 1/4W	
R	59	QRE141J-102Y	C RESISTOR	1.0K 5% 1/4W	
R	60	QRE141J-102Y	C RESISTOR	1.0K 5% 1/4W	
R	61	QRE141J-102Y	C RESISTOR	1.0K 5% 1/4W	
R	63	QRE141J-473Y	C RESISTOR	47K 5% 1/4W	
R	64	QRE141J-102Y	C RESISTOR	1.0K 5% 1/4W	
R	67	QRE141J-184Y	C RESISTOR	180K 5% 1/4W	
T	2	QAX0540-001	C FIL		
TC	2	QAT3725-200Z	T CAPACITOR	MW RF	
TC	3	QAT3725-300Z	T CAPACITOR		
TP	1	QNZ0104-001	POST PIN	TO ROD ANT	
TP	2	QNZ0104-001	POST PIN	GND	
X	1	QAX0402-001	CRYSTAL		

■ Electrical parts list (LED board)

Block No. 04

△	Item	Parts number	Parts name	Remarks	Area
	C4901	QEKJ1CM-107Z	E CAPACITOR	100MF 20% 16V	
	C4902	QEKJ1HM-105Z	E CAPACITOR	1.0MF 20% 50V	
	C4903	QEKJ1CM-106Z	E CAPACITOR	10MF 20% 16V	
	C4904	QEKJ1EM-475Z	E CAPACITOR	4.7MF 20% 25V	
	C4905	NCS21HJ-470X	C CAPACITOR		
	D4901	SLR-342MG/NPT15	LED		
	D4902	SLR-342MG/NPT15	LED		
	D4903	SLR-342MG/NPT15	LED		
	D4904	SLR-342MG/NPT15	LED		
	D4905	SLR-342DU/NPT15	LED		
	D4906	SLR-342DU/NPT15	LED		
	D4907	SLR-342VR/MNT15	LED		
	D4908	SLR-342VR/MNT15	LED		
	FW491	QJK005-031003	SIN CR C-B WIRE	MAIN - LED	
	IC491	LB1405	IC	LED CONT.	
	Q4901	DTA114EKA-X	D TRANSISTOR		
	Q4902	DTA114EKA-X	D TRANSISTOR		
	Q4903	DTA114EKA-X	D TRANSISTOR		
	Q4904	DTA114EKA-X	D TRANSISTOR		
	R4902	NRSA02J-151X	MG RESISTOR		
	R4904	NRSA02J-151X	MG RESISTOR		
	R4906	NRSA02J-151X	MG RESISTOR		
	R4908	NRSA02J-151X	MG RESISTOR		
	R4911	NRSA02J-561X	MG RESISTOR		
	R4912	NRSA02J-153X	MG RESISTOR		
	R4913	NRSA02J-153X	MG RESISTOR		
	R4914	NRSA02J-333X	MG RESISTOR		
	R4915	NRSA02J-103X	MG RESISTOR		
	R4916	NRSA02J-103X	MG RESISTOR		

■ Electrical parts list (Head amplifier & mechanism board) Block No. 05

△	Item	Parts number	Parts name	Remarks	Area	△	Item	Parts number	Parts name	Remarks	Area
	C 101	NCS21HJ-821X	C CAPACITOR				IC 33	BU4094BCF-X	IC		
	C 102	NCS21HJ-221X	C CAPACITOR				L 301	QQR0620-001	OSC COIL(BIAS)		
	C 103	QEKJ0JM-227Z	E CAPACITOR	220MF 20% 6.3V			L 303	QLQ01BK-100Z	INDUCTOR		
	C 104	NCB21HK-333X	C CAPACITOR				Q 101	DTC114TKA-X	TRANSISTOR		
	C 105	NCB21HK-222X	C CAPACITOR				Q 102	DTC114TKA-X	TRANSISTOR	REC EQ CONT.	
	C 106	QEK41CM-106	E CAPACITOR	10MF 20% 16V			Q 201	DTC114TKA-X	TRANSISTOR		
	C 107	NCS21HJ-561X	C CAPACITOR				Q 202	DTC114TKA-X	TRANSISTOR	REC EQ CONT.	
	C 108	QEK41EM-475	E CAPACITOR	4.7MF 20% 25V			Q 301	DTA144EKA-X	TRANSISTOR	REC EQ CONT.	
	C 109	QEK41EM-475	E CAPACITOR	4.7MF 20% 25V			Q 302	2SC2001/K/-T	TRANSISTOR		
	C 110	NCB21HK-682X	C CAPACITOR				Q 303	2SC2001/K/-T	TRANSISTOR		
	C 111	NCB21HK-122X	C CAPACITOR				Q 304	2SC2001/LK/-T	TRANSISTOR		
	C 112	NCB21EK-683X	C CAPACITOR				Q 305	2SC2001/LK/-T	TRANSISTOR		
	C 113	NCB21HK-222X	C CAPACITOR				Q 306	2SC2412K/RS/-X	CHIP TRANSISTOR		
	C 121	NCS21HJ-331X	C CAPACITOR				Q 307	2SC2412K/RS/-X	CHIP TRANSISTOR		
	C 201	NCS21HJ-821X	C CAPACITOR				Q 308	2SC2412K/RS/-X	CHIP TRANSISTOR		
	C 202	NCS21HJ-221X	C CAPACITOR				Q 309	2SC2412K/RS/-X	CHIP TRANSISTOR		
	C 203	QEKJ0JM-227Z	E CAPACITOR	220MF 20% 6.3V			Q 321	DTC144EKA-X	TRANSISTOR		
	C 204	NCB21HK-333X	C CAPACITOR				Q 323	2SC2412K/RS/-X	CHIP TRANSISTOR		
	C 205	NCB21HK-222X	C CAPACITOR				Q 371	2SA952/LK/-T	TRANSISTOR	MOTER+B	
	C 206	QEK41CM-106	E CAPACITOR	10MF 20% 16V			Q 372	DTC124EKA-X	TRANSISTOR		
	C 207	NCS21HJ-561X	C CAPACITOR				Q 375	2SB562/C/-T	TRANSISTOR	SOLENOID DRIVE	
	C 208	QEK41EM-475	E CAPACITOR	4.7MF 20% 25V			Q 376	2SC2412K/RS/-X	CHIP TRANSISTOR		
	C 209	QEK41EM-475	E CAPACITOR	4.7MF 20% 25V			R 101	NRSA63J-220X	MG RESISTOR		
	C 210	NCB21HK-682X	C CAPACITOR				R 102	NRSA63J-182X	MG RESISTOR		
	C 211	NCB21HK-122X	C CAPACITOR				R 103	NRSA63J-242X	MG RESISTOR		
	C 212	NCB21EK-683X	C CAPACITOR				R 104	NRSA63J-122X	MG RESISTOR		
	C 213	NCB21HK-222X	C CAPACITOR				R 105	NRSA63J-104X	MG RESISTOR		
	C 221	NCS21HJ-331X	C CAPACITOR				R 106	NRSA63J-332X	MG RESISTOR		
	C 301	QEKJ1AM-107Z	E CAPACITOR	100MF 20% 10V			R 107	NRSA63J-123X	MG RESISTOR		
	C 302	NCB21HK-393X	C CAPACITOR				R 108	NRSA63J-562X	MG RESISTOR		
	C 303	QEKJ0JM-227Z	E CAPACITOR	220MF 20% 6.3V			R 109	NRSA63J-122X	MG RESISTOR		
	C 304	QEKJ1CM-226Z	E CAPACITOR	22MF 20% 16V			R 110	NRSA63J-472X	MG RESISTOR		
	C 305	QEKJ1CM-226Z	E CAPACITOR	22MF 20% 16V			R 111	NRSA63J-333X	MG RESISTOR		
	C 306	QEK41CM-476	E CAPACITOR	47MF 20% 16V			R 112	NRSA63J-222X	MG RESISTOR		
	C 307	NCB21HK-103X	C CAPACITOR				R 113	NRSA63J-472X	MG RESISTOR		
	C 308	NCB21HK-562X	C CAPACITOR				R 114	NRSA63J-272X	MG RESISTOR		
	C 309	NCB21HK-562X	C CAPACITOR				R 116	NRSA63J-102X	MG RESISTOR		
	C 310	NCB21HK-223X	C CAPACITOR				R 121	NRSA63J-102X	MG RESISTOR		
	C 311	NCB21HK-682X	C CAPACITOR				R 201	NRSA63J-220X	MG RESISTOR		
	C 313	QEKJ1AM-107Z	E CAPACITOR	100MF 20% 10V			R 202	NRSA63J-182X	MG RESISTOR		
	C 314	QCZ0205-155Z	ML C CAPACITOR	1.5MF			R 203	NRSA63J-242X	MG RESISTOR		
	C 315	QCZ0205-155Z	ML C CAPACITOR	1.5MF			R 204	NRSA63J-122X	MG RESISTOR		
	C 316	QFG32AJ-103Z	PP CAPACITOR	.010MF 5% 100V			R 205	NRSA63J-104X	MG RESISTOR		
	C 318	NCB21HK-103X	C CAPACITOR				R 206	NRSA63J-332X	MG RESISTOR		
	C 319	QFG32AJ-821Z	PP CAPACITOR	820PF 5% 100V			R 207	NRSA63J-123X	MG RESISTOR		
	C 321	NCB21HK-103X	C CAPACITOR				R 208	NRSA63J-562X	MG RESISTOR		
	C 322	QFG32AJ-152Z	PP CAPACITOR	1500PF 5% 100V			R 209	NRSA63J-122X	MG RESISTOR		
	C 331	QEK41CM-476	E CAPACITOR	47MF 20% 16V			R 210	NRSA63J-472X	MG RESISTOR		
	C 351	QEK41CM-106	E CAPACITOR	10MF 20% 16V			R 211	NRSA63J-333X	MG RESISTOR		
	C 371	QEK41EM-475	E CAPACITOR	4.7MF 20% 25V			R 212	NRSA63J-222X	MG RESISTOR		
	C 374	QEKJ1AM-107Z	E CAPACITOR	100MF 20% 10V			R 213	NRSA63J-472X	MG RESISTOR		
	C 375	QEKJ1AM-107Z	E CAPACITOR	100MF 20% 10V			R 214	NRSA63J-272X	MG RESISTOR		
	C 376	NCB21HK-103X	C CAPACITOR				R 216	NRSA63J-102X	MG RESISTOR		
	CN 31	QGF1201F3-06	CONNECTOR	PRI/HEAD			R 221	NRSA63J-102X	MG RESISTOR		
	CN 32	QGB2011M1-10	B TO B CONNECTO	PRI/MECHA			R 301	NRS181J-221X	MG RESISTOR		
	CN 33	QGF1205F1-09	CONNECTOR	PRI/MICON			R 303	NRSA63J-393X	MG RESISTOR		
	CN 34	QGF1201F3-10	CONNECTOR	PRI/AMP			R 304	NRS181J-101X	MG RESISTOR		
	D 301	MA152WA-X	DIODE				R 305	NRSA63J-222X	MG RESISTOR		
	D 309	MA704A-X	S.K.DIODE				R 306	NRSA63J-222X	MG RESISTOR		
	D 375	MA3051/M/-X	ZENER DIODE				R 310	NRS181J-560X	MG RESISTOR	1/8W	
	FW 31	QUM024-06A2Z3	PARA RIBON WIRE				R 311	NRS181J-560X	MG RESISTOR	1/8W	
	IC 31	BA3126N	IC	HEAD SW			R 313	NRSA63J-3R3X	MG RESISTOR		
	IC 32	AN7317	IC	PB&REC			R 314	NRSA63J-223X	MG RESISTOR		

■ Electrical parts list (Head amplifier & mechanism board) Block No. 05

△	Item	Parts number	Parts name	Remarks	Area
	R 315	NRSA63J-100X	MG RESISTOR		
	R 316	NRSA63J-223X	MG RESISTOR		
	R 317	NRSA63J-100X	MG RESISTOR		
	R 319	NRSA63J-152X	MG RESISTOR		
	R 322	NRSA63J-152X	MG RESISTOR		
	R 327	NRSA63J-474X	MG RESISTOR		
	R 332	NRSA63J-123X	MG RESISTOR		
	R 333	NRSA63J-123X	MG RESISTOR		
	R 335	NRSA63J-152X	MG RESISTOR		
	R 336	NRSA63J-472X	MG RESISTOR		
	R 337	NRSA63J-332X	MG RESISTOR		
	R 338	NRSA63J-392X	MG RESISTOR		
	R 339	NRSA63J-222X	MG RESISTOR		
	R 340	NRS181J-391X	MG RESISTOR		
	R 341	NRSA63J-123X	MG RESISTOR		
	R 342	NRSA63J-203X	MG RESISTOR		
	R 343	NRSA63J-183X	MG RESISTOR		
	R 351	NRSA63J-683X	MG RESISTOR		
	R 352	NRSA63J-912X	MG RESISTOR		
	R 371	NRSA63J-123X	MG RESISTOR		
	R 372	NRSA63J-102X	MG RESISTOR		
	R 375	NRSA02J-151X	MG RESISTOR	1/8W	
	R 376	NRSA63J-472X	MG RESISTOR		
	VR 31	QVP0008-503Z	SEMI.V.RESISTOR	BIAS ADJ	
	VR 32	QVP0008-503Z	SEMI.V.RESISTOR	BIAS ADJ	
	VR 37	QVP0008-103Z	SEMI.V.RESISTOR	TAPE SPEED ADJ	

■ Electrical parts list (Cassette switch board)

Block No. 06

△	Item	Parts number	Parts name	Remarks	Area
	CN 1	QGB2011L1-10	B TO B CONNECTO		
	D 1	1SR139-400-T2	SI DIODE		
	IC 1	SG-105F3-BB,C	PHOTO SENSER		
	P 1	QNZ0104-001	POST PIN		
	SW 1	QSW0832-001	LEAF SWITCH	R.REC	
	SW 2	QSW0832-001	LEAF SWITCH	TAPE	
	SW 4	QSW0832-001	LEAF SWITCH	70U	
	SW 5	QSW0832-001	LEAF SWITCH	F.REC	
	SW 6	QSW0859-001	DETECT SWITCH		

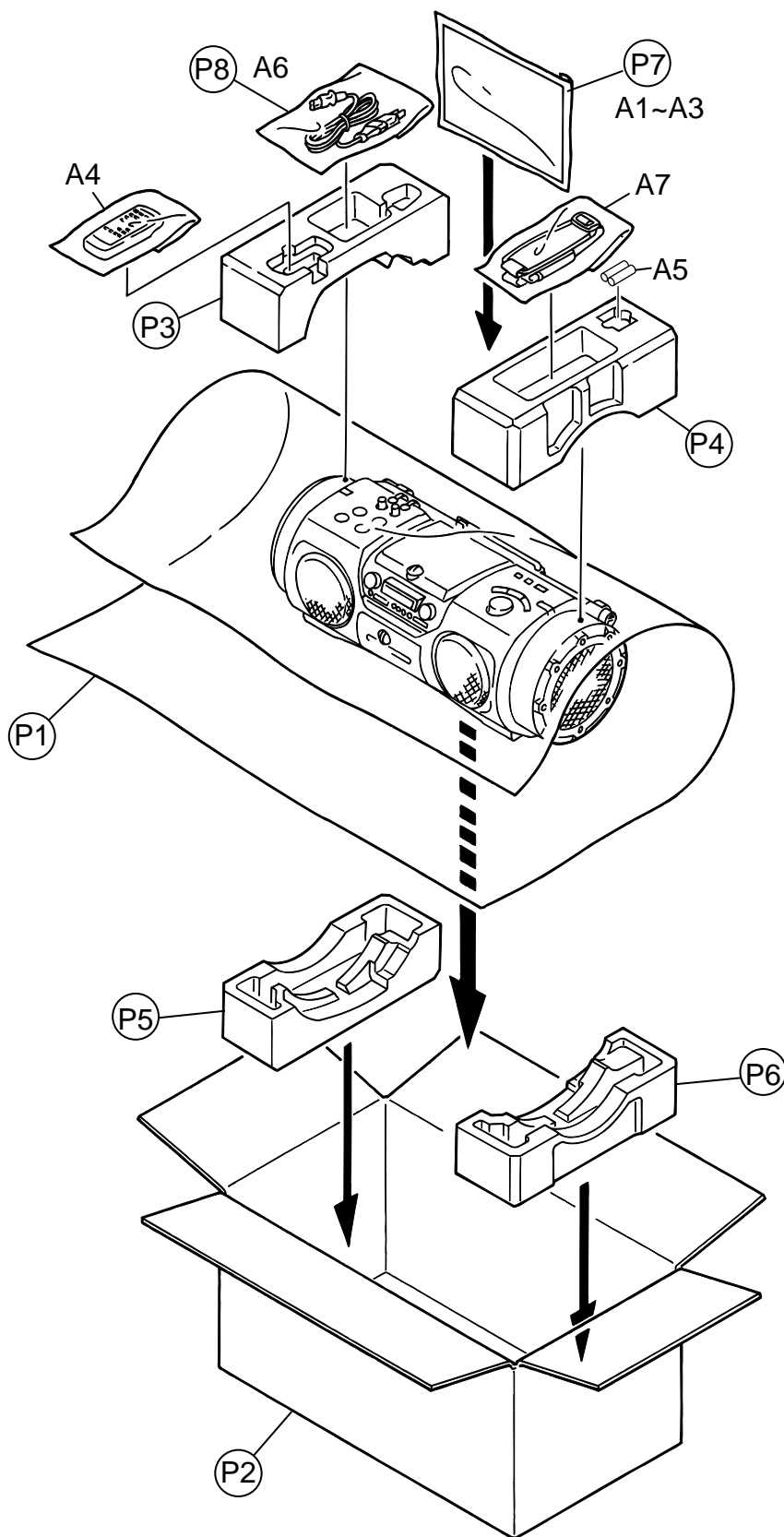
Packing materials and accessories parts list

Block No.

M	4	M	M
---	---	---	---

Block No.

M	5	M	M
---	---	---	---



Parts list (Packing)

Block No. M4MM

△	Item	Parts number	Parts name	Q'ty	Description	Area
	P 1	QPF16016015	POLY SHEET	1		
	P 2	LV32595-002A	CARTON	1		
	P 3	LV10348-001A	CUSHION(UP/L)	1		
	P 4	LV10348-002A	CUSHION(UP/R)	1		
	P 5	LV10348-003A	CUSHION(BTM/L)	1		
	P 6	LV10348-004A	CUSHION(BTM/R)	1		
	P 7	QPA02503505P	POLY BAG	1	FOR INST	
	P 8	QPA01503503	POLY BAG	1	FOR P.CORD	B
		QPA01203005	POLY BAG	1	FOR P.CORD	E,EN

Parts list (Accessories)

Block No. M5MM

△	Item	Parts number	Parts name	Q'ty	Description	Area
	A 1	LVT0703-002A	INST BOOK	1	ENG	B
		LVT0703-003A	INST BOOK	1	GER,FRE,DUT	E
		LVT0703-004A	INST BOOK	1	SWE,FIN,DAN,GER, FRE,SPA,ITA	EN
	A 2	BT-54008-2	WARRANTY CARD	1		
	A 3	VNA3000-204	REGIST.CARD	1		B
	A 4	RM-SRVDP100E	REMOCON UNIT	1		
	A 5	-----	BATTERY	2		
△	A 6	QMP39F0-183E	POWER CORD	1		E,EN
△		QMP5520-183E	POWER CORD	1		B
	A 7	LV32068-001A	SHOULDER BELT	1		